

ComAnt[®] Communications Antennas

FREQUENCY INDEPENDENT DATA

Description: cross-polarized yagi, dual feed, physically quarter wavelength along the boom phased

Frequency: 380-410 MHz, 405-440 MHz, 440-475 MHz, 791-862 MHz, 830-890 MHz, 880-960 MHz

Impedance: 50 ohm

Gain: 6/6 dBi

Az -3 dB: 140/103°

EI -3 dB: 86/97°

F/B: 12/11 dB

Polarization: circular/slanted

Isolation: 30 dB

Connector: 2*N-female/2*TNC-female

VSWR: < 1.5

Radome: UV resistant ABS/FG, RAL 7012, PU foam filling copper

Radiator: coated aluminium

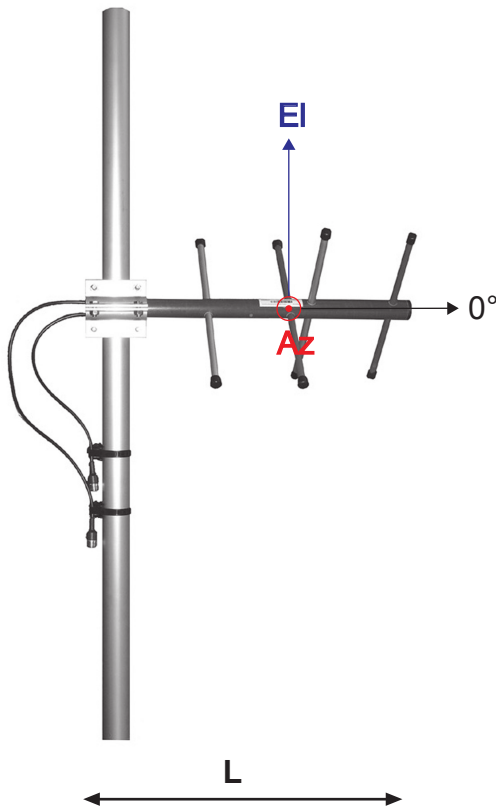
Passive elements: ø35-60 mm, aluminium alloy

Attachment: bracket, stainless steel V-bolts and self locking nuts

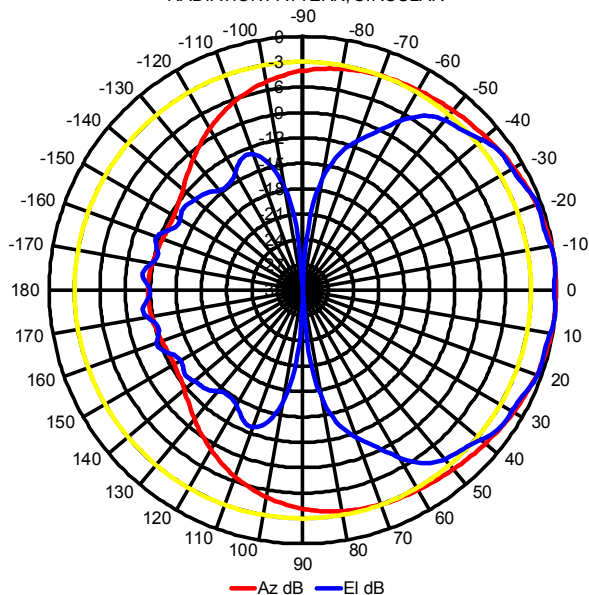
Lightning protection: DC-short circuited

Temperature: -40° - +80°C

IP: 67

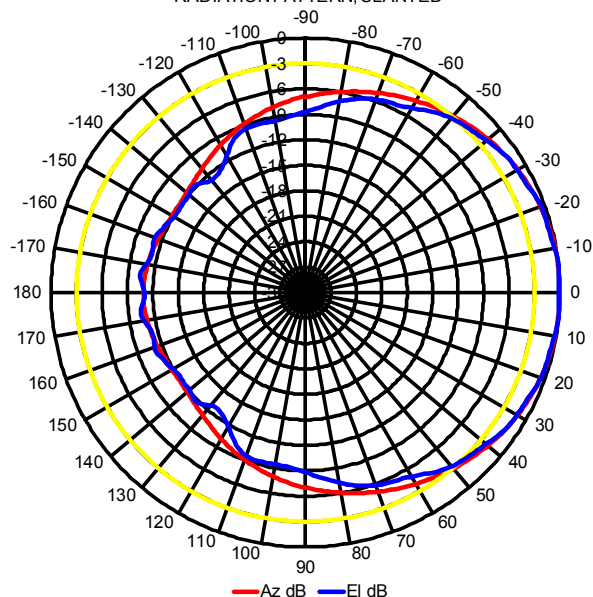


RADIATION PATTERN, CIRCULAR



CS-power splitter required in circular mode

RADIATION PATTERN, SLANTED



CAX CROSS-POLARIZED YAGI