

LoRaWAN™ wireless IP-65 GPIO transceiver
ELT-2-HP

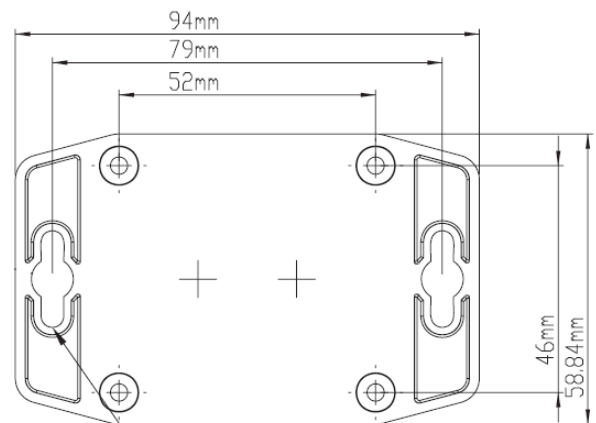
- Analog 0-10V
- Digital
- Pulse counter
- Direct connection to 1-wire temperature sensor
- Direct connection to Decagon moisture sensor
- Direct connection to S0 outputs
- Direct connection to Maxbotix ultrasonic distance sensor
- Water leak sensor
- Embedded sensors for temperature, humidity, acceleration and atmospheric pressure.
- NFC for easy configuration
- +20dBm maximum power
- Extra external I/O for dual sensor

The ELT-2-HP is a 2-channel GPIO wireless transceiver for LoRaWAN™. The module can provide power to external sensors. The power-on time before data sampling can be adjusted.

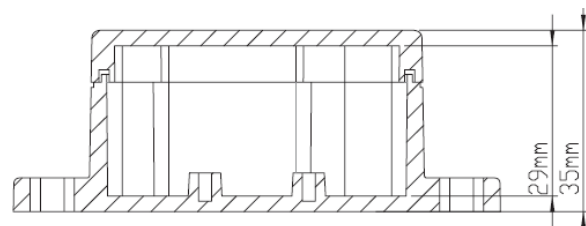
The ELT-2-HP has an extra external I/O. This makes it possible to make dual measurements, for example: External temperature + door switch.

All Elsys sensors are equipped with NFC for easy configuration by an Android smartphone. With our application "Sensor Settings", you can change sample rate, data rate, encryption keys, triggers, activation and much more.

All sensors have a global unique EUI-64 serial number.



HOLE(S) ARE DESIGNED FOR M4 PAN HEAD MACHINE SCREWS USE.



Battery: 3.6V lithium AA-size

Approx. range: 12km @ LoRa™ modulation SF10

Battery life: Up to 10 years, depending on transmission interval.

US902-928, EU863-870, AS923, AU915-928, KR920-923