

DS-1232ZJ-P

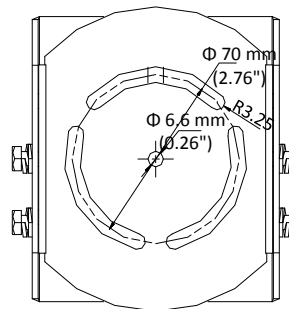
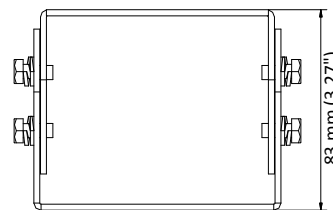
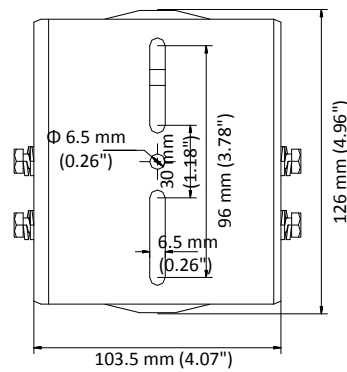
Cardan Joint



Feature

- Enables the angle adjustment from -60° to 60°
- Applied to both indoor and outdoor conditions

Dimension



Available Model

DS-1232ZJ

Parameter

Model	DS-1232ZJ-P
Parameters	Cardan Joint
Appearance	Platinum Gray
Material	Steel
Dimension	126 mm × 103.5 mm × 83 mm (4.96" × 4.07" × 3.27")
Weight	Approx. 760 g (1.68 lb.)

Note

- The cardan joint should be installed on a flat surface.
- Waterproof rubber is necessary for the outdoor application.
- The wall should be capable of supporting at least 3 times as much as the total weight of the camera and the cardan joint.
- The maximum load capacity of the cardan joint is 6 kg (13.23 lb.).