

## DS-1275ZJ-Y

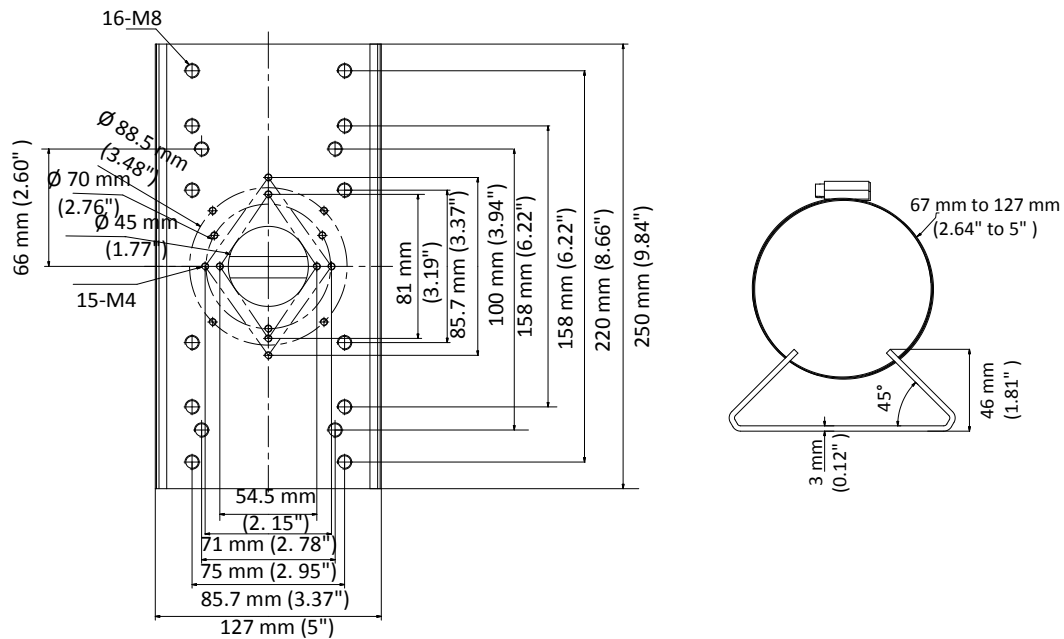
### Vertical Pole Mount



#### Feature

- Stainless steel with professional anti-corrosion surface spray treatment (excluding clamps)
- One piece stainless steel formation ensures the reliable structure
- Adjustable diameter from 67 mm to 127 mm
- Applies to anti-corrosion box camera with housing

#### Dimension



#### Available Model

DS-1275ZJ-Y

#### Parameter

Model	DS-1275ZJ-Y
Parameters	Vertical Pole Mount
Appearance	Hikvision white
Material	Stainless steel
Dimension	127 mm × 46 mm × 250 mm (5.0" × 1.81" × 9.84")
Weight	1480 g (3.26 lb.)

#### Note

- This mount can be joined with other mounts to install camera.
- The pole must be capable of supporting at least 3 times as much as the total weight of the camera, and the mount.
- The mount's maximum load capacity is 10 kg (22 lb.).