

## DS-1708ZJ

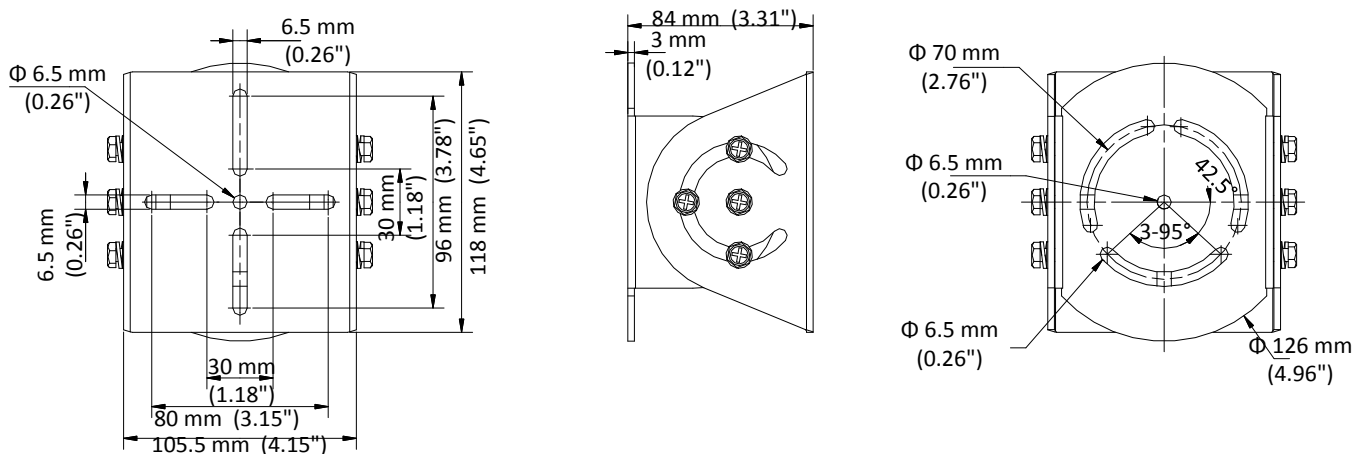
### Cardan Joint



#### Feature

- This bracket is designed to be used along with an anti-explosion bullet camera
- Applies to both indoor and outdoor conditions

#### Dimension



#### Available Model

DS-1708ZJ

#### Parameter

Model	DS-1708ZJ
Parameters	Cardan Joint
Appearance	Unpainted Stainless Steel
Material	SUS304
Dimension	105.5 mm × 118 mm × 84 mm (4.15" × 4.65" × 3.31")
Weight	Approx. 1000 g (2.20 lb.)

#### Note

- The bracket should be installed on a flat surface.
- The waterproof rubber is necessary for the outdoor application.
- The wall should be capable of supporting at least 3 times as much as the total weight of the camera, and the bracket.
- The maximum load capacity of the bracket is 20 kg (44.09 lb.).