



Network Speed Dome

Quick Start Guide

Quick Start Guide

© 2020 Hangzhou Hikvision Digital Technology Co., Ltd. All rights reserved.

This Manual is the property of Hangzhou Hikvision Digital Technology Co., Ltd. or its affiliates (hereinafter referred to as “Hikvision”), and it cannot be reproduced, changed, translated, or distributed, partially or wholly, by any means, without the prior written permission of Hikvision. Unless otherwise expressly stated herein, Hikvision does not make any warranties, guarantees or representations, express or implied, regarding to the Manual, any information contained herein.

About this Manual

The Manual includes instructions for using and managing the Product. Pictures, charts, images and all other information hereinafter are for description and explanation only. The information contained in the Manual is subject to change, without notice, due to firmware updates or other reasons. Please find the latest version of this Manual at the Hikvision website (<http://www.hikvision.com>).

Please use this Manual with the guidance and assistance of professionals trained in supporting the Product.

Trademarks Acknowledgement

- **HIKVISION** and other Hikvision’s trademarks and logos are the properties of Hikvision in various jurisdictions.
- Other trademarks and logos mentioned are the properties of their respective owners.

LEGAL DISCLAIMER

TO THE MAXIMUM EXTENT PERMITTED BY APPLICABLE LAW, THIS MANUAL AND THE PRODUCT DESCRIBED, WITH ITS HARDWARE, SOFTWARE AND FIRMWARE, ARE PROVIDED “AS IS” AND “WITH ALL FAULTS AND ERRORS”. HIKVISION MAKES NO WARRANTIES, EXPRESS OR IMPLIED, INCLUDING WITHOUT LIMITATION, MERCHANTABILITY, SATISFACTORY QUALITY, OR FITNESS FOR A PARTICULAR PURPOSE. THE USE OF THE PRODUCT BY YOU IS AT YOUR OWN RISK. IN NO EVENT WILL HIKVISION BE LIABLE TO YOU FOR ANY SPECIAL, CONSEQUENTIAL, INCIDENTAL, OR INDIRECT DAMAGES, INCLUDING, AMONG OTHERS, DAMAGES FOR LOSS OF BUSINESS PROFITS, BUSINESS INTERRUPTION, OR LOSS OF DATA, CORRUPTION OF SYSTEMS, OR LOSS OF DOCUMENTATION, WHETHER BASED ON BREACH OF CONTRACT, TORT (INCLUDING NEGLIGENCE), PRODUCT LIABILITY, OR OTHERWISE, IN CONNECTION WITH THE USE OF THE PRODUCT, EVEN IF HIKVISION HAS BEEN ADVISED OF THE POSSIBILITY OF SUCH DAMAGES OR LOSS.

YOU ACKNOWLEDGE THAT THE NATURE OF INTERNET PROVIDES FOR INHERENT SECURITY RISKS, AND HIKVISION SHALL NOT TAKE ANY RESPONSIBILITIES FOR

ABNORMAL OPERATION, PRIVACY LEAKAGE OR OTHER DAMAGES RESULTING FROM CYBER-ATTACK, HACKER ATTACK, VIRUS INSPECTION, OR OTHER INTERNET SECURITY RISKS; HOWEVER, HIKVISION WILL PROVIDE TIMELY TECHNICAL SUPPORT IF REQUIRED. YOU AGREE TO USE THIS PRODUCT IN COMPLIANCE WITH ALL APPLICABLE LAWS, AND YOU ARE SOLELY RESPONSIBLE FOR ENSURING THAT YOUR USE CONFORMS TO THE APPLICABLE LAW. ESPECIALLY, YOU ARE RESPONSIBLE, FOR USING THIS PRODUCT IN A MANNER THAT DOES NOT INFRINGE ON THE RIGHTS OF THIRD PARTIES, INCLUDING WITHOUT LIMITATION, RIGHTS OF PUBLICITY, INTELLECTUAL PROPERTY RIGHTS, OR DATA PROTECTION AND OTHER PRIVACY RIGHTS. YOU SHALL NOT USE THIS PRODUCT FOR ANY PROHIBITED END-USES, INCLUDING THE DEVELOPMENT OR PRODUCTION OF WEAPONS OF MASS DESTRUCTION, THE DEVELOPMENT OR PRODUCTION OF CHEMICAL OR BIOLOGICAL WEAPONS, ANY ACTIVITIES IN THE CONTEXT RELATED TO ANY NUCLEAR EXPLOSIVE OR UNSAFE NUCLEAR FUEL-CYCLE, OR IN SUPPORT OF HUMAN RIGHTS ABUSES.

IN THE EVENT OF ANY CONFLICTS BETWEEN THIS MANUAL AND THE APPLICABLE LAW, THE LATER PREVAILS.

Regulatory Information

FCC Information

Please take attention that changes or modification not expressly approved by the party responsible for compliance could void the user's authority to operate the equipment.

FCC compliance: This equipment has been tested and found to comply with the limits for a Class A digital device, pursuant to part 15 of the FCC Rules. These limits are designed to provide reasonable protection against harmful interference when the equipment is operated in a commercial environment. This equipment generates, uses, and can radiate radio frequency energy and, if not installed and used in accordance with the instruction manual, may cause harmful interference to radio communications. Operation of this equipment in a residential area is likely to cause harmful interference in which case the user will be required to correct the interference at his own expense.

FCC Conditions

This device complies with part 15 of the FCC Rules. Operation is subject to the following two conditions:

1. This device may not cause harmful interference.
2. This device must accept any interference received, including interference that may cause undesired operation

EU Conformity Statement



This product and - if applicable - the supplied accessories too are marked with "CE" and comply therefore with the applicable harmonized European standards listed under the EMC Directive 2014/30/EU, the RoHS Directive 2011/65/EU.



2012/19/EU (WEEE directive): Products marked with this symbol cannot be disposed of as unsorted municipal waste in the European Union. For proper recycling, return this product to your local supplier upon the purchase of equivalent new equipment, or dispose of it at designated collection points.

For more information see: www.recyclethis.info.



2006/66/EC (battery directive): This product contains a battery that cannot be disposed of as unsorted municipal waste in the European Union. See the product documentation for specific battery information. The battery is marked with this symbol, which may include lettering to indicate cadmium (Cd), lead (Pb), or mercury (Hg). For proper recycling, return the battery to your supplier or to a designated collection point. For more information see: www.recyclethis.info.

Industry Canada ICES-003 Compliance

This device meets the CAN ICES-3 (A)/NMB-3(A) standards requirements.



Safety Instruction

These instructions are intended to ensure that user can use the product correctly to avoid danger or property loss.

The precaution measure is divided into **Warnings** and **Cautions**:

Warnings: Neglecting any of the warnings may cause serious injury or death.

Cautions: Neglecting any of the cautions may cause injury or equipment damage.

	
Warnings Follow these safeguards to prevent serious injury or death.	Cautions Follow these precautions to prevent potential injury or material damage.



Warnings

- In the use of the product, you must be in strict compliance with the electrical safety regulations of the nation and region.
- Refer to technical specifications for detailed information.
- Input voltage should meet both the SELV (Safety Extra Low Voltage) and the Limited Power Source with 24 VAC or 12 VDC according to the IEC60950-1 standard. Refer to technical specifications for detailed information.
- Do not connect several devices to one power adapter as adapter overload may cause over-heating or a fire hazard.
- Make sure that the plug is firmly connected to the power socket.
- Make sure that the power has been disconnected before you wire, install or dismantle the speed dome.
- When the product is mounted on wall or ceiling, the device shall be firmly fixed.
- If smoke, odor or noise rise from the device, turn off the power at once and unplug the power cable, and then contact the service center.
- If the product does not work properly, contact your dealer or the nearest service center. Never attempt to disassemble the speed dome yourself. (We shall not assume any responsibility for problems caused by unauthorized repair or maintenance.)



Cautions

- CAUTION: Hot parts! Burned fingers when handling the parts. Wait one-half hour after switching off before handling parts. This sticker is to indicate that the marked item can be hot and should not be touched without taking care. For device with this sticker, this



device is intended for installation in a restricted access location, access can only be gained by service persons or by users who have been instructed about the reasons for the restrictions applied to the location and about any precautions that shall be taken.

- If the speed dome fails to synchronize local time with that of the network, you need to set up speed dome time manually. Visit the speed dome (via web browser or client software) and enter system settings interface for time settings.
- Make sure the power supply voltage is correct before using the speed dome.
- Do not drop the speed dome or subject it to physical shock, and do not expose it to high electromagnetism radiation. Avoid installation on vibrations surface or places subject to shock (ignorance can cause device damage).
- Do not touch sensor modules with fingers. If cleaning is necessary, use clean cloth with a bit of ethanol and wipe it gently. If the speed dome will not be used for an extended period, replace the lens cap to protect the sensor from dirt.
- Do not aim the speed dome at the sun or extra bright places. Blooming or smearing may occur otherwise (which is not a malfunction), and affect the endurance of sensor at the same time.
- The sensor may be burned out by a laser beam, so when any laser equipment is in using, make sure that the surface of sensor will not be exposed to the laser beam.
- Do not place the speed dome in extremely hot, cold, dusty or damp locations, and do not expose it to high electromagnetic radiation.
- To avoid heat accumulation, good ventilation is required for operating environment.
- Keep the speed dome away from liquid while in use.
- While in delivery, the speed dome shall be packed in its original packing, or packing of the same texture.
- Improper use or replacement of the battery may result in hazard of explosion. Replace with the same or equivalent type only. Dispose of used batteries according to the instructions provided by the battery manufacturer.

L'utilisation ou le remplacement inadéquats de la pile peuvent entraîner un risque d'explosion. Remplacez-la par le même type ou l'équivalent du même type seulement. Jetez les piles usagées conformément aux directives fournies par le fabricant de la pile.

Table of Contents

1 Overview	1
1.1 Speed Dome Overview	1
1.1.1 Overview of Type I Speed Dome	1
1.1.2 Overview of Type II Speed Dome	1
1.1.3 Overview of Type III Speed Dome	2
1.1.4 Overview of Type IV Speed Dome	3
1.1.5 Overview of Type V Speed Dome	3
1.1.6 Overview of Type VI Speed Dome	4
1.1.7 Overview of Type VII Speed Dome	4
1.1.8 Overview of Type VIII Speed Dome	5
1.1.9 Overview of Type IX Speed Dome	5
1.2 Cable Interfaces	5
1.3 Alarm Output	6
2 Installation	7
2.1 Installing Type I Speed Dome.....	7
2.1.1 Wall Mounting.....	7
2.1.2 In-ceiling Mounting.....	11
2.1.3 Ceiling Mounting.....	13
2.2 Installing Type II Speed Dome.....	16
Wall Mounting	16
2.3 Installing Type III Speed Dome.....	19
Wall Mounting	19
2.4 Installing Type IV Speed Dome	22
Wall Mounting	22
2.5 Installing Type V Speed Dome	26
Wall Mounting	26
2.6 Installing Type VI and VII Speed Dome	29
Wall Mounting	29
Pendant Mounting	32
2.7 Installing Type VIII Speed Dome	34
Wall Mounting	34
Horizontal Pole Mounting	36
Vertical Pole Mounting.....	38
Pendant Mounting	40
2.8 Installing Type IX Speed Dome.....	42
Wall Mounting	42
Pendant Mounting	43
2.9 Installation of Network Cable Waterproof Jacket	43
2.10 Installation of Water-proof Tape.....	44
2.11 Protective Measures for Outdoor Installation	46
3 Activate and Access Network Camera	47

1 Overview

1.1 Speed Dome Overview

The network speed dome has **EIGHT** types. The figures below are for reference only, refer to the actual product as the standard.

1.1.1 Overview of Type I Speed Dome

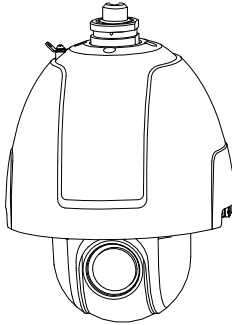


Figure 1-1 Overview of Type I Speed Dome

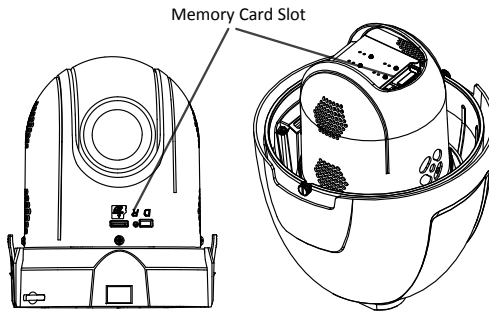


Figure 1-2 Memory Card Slot

1.1.2 Overview of Type II Speed Dome

Note:

There are two different appearances of Type II speed dome. Refer to the actual product for the location of memory card slot.

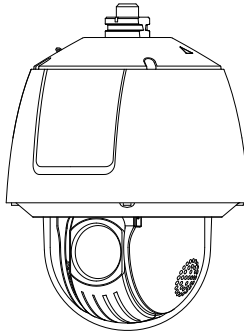


Figure 1-3 Overview of Type II Speed Dome

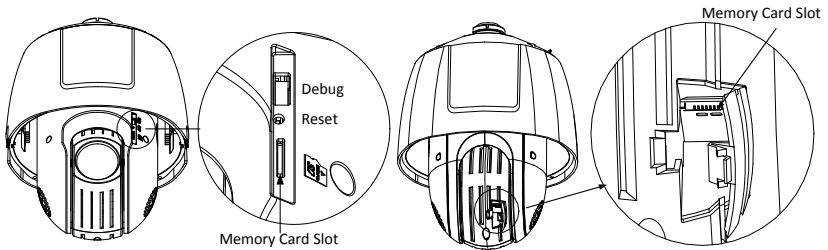


Figure 1-4 Memory Card Slot

1.1.3 Overview of Type III Speed Dome

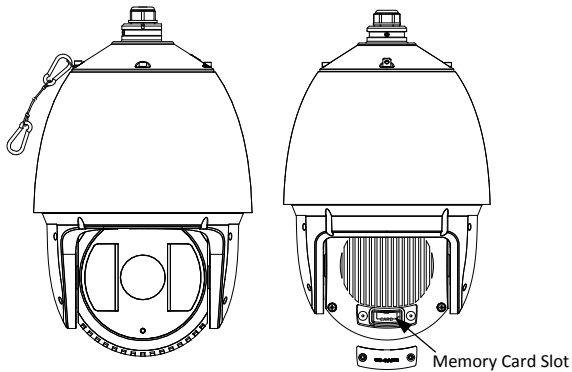


Figure 1-5 Overview of Type III Speed Dome

1.1.4 Overview of Type IV Speed Dome

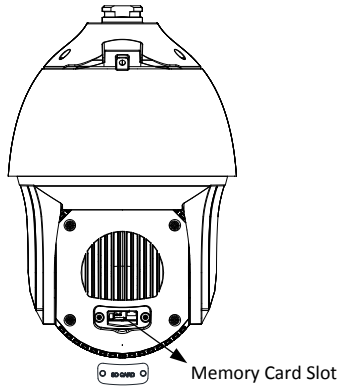


Figure 1-6 Overview of Type IV Speed Dome

1.1.5 Overview of Type V Speed Dome

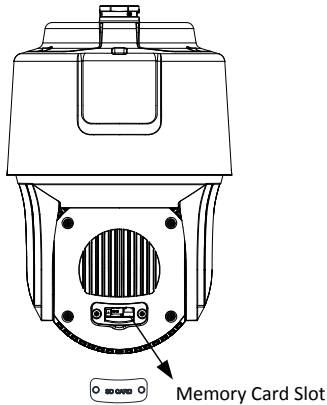


Figure 1-7 Overview of Type V Speed Dome

1.1.6 Overview of Type VI Speed Dome

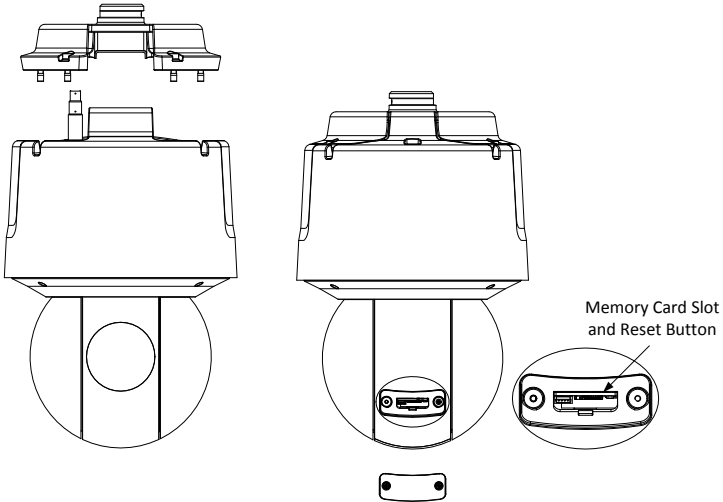


Figure 1-8 Overview of Type VI Speed Dome

1.1.7 Overview of Type VII Speed Dome

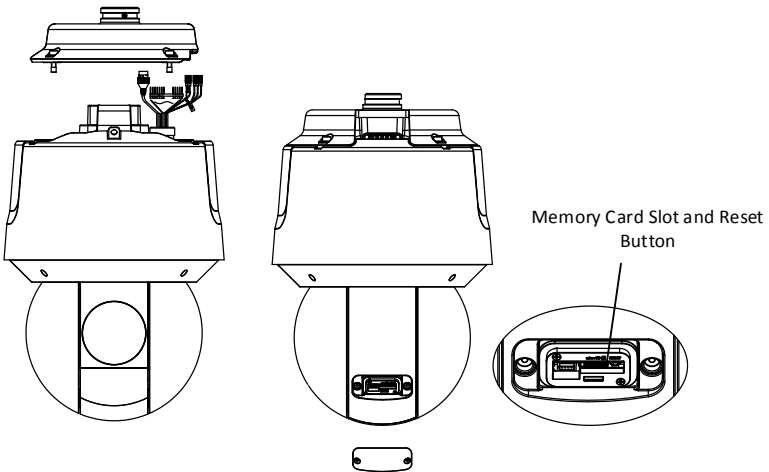


Figure 1-9 Overview of Type VII Speed Dome

1.1.8 Overview of Type VIII Speed Dome

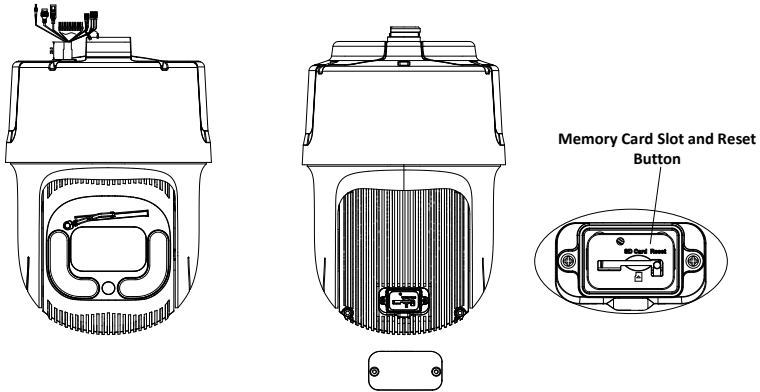


Figure 1-10 Overview of Type VIII Speed Dome

1.1.9 Overview of Type IX Speed Dome

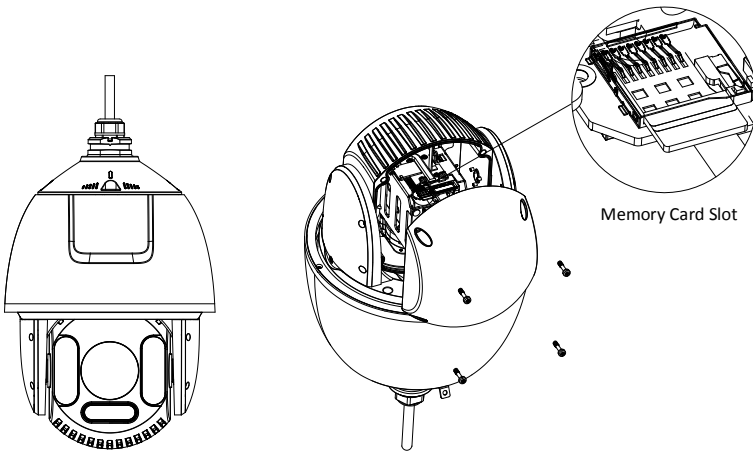


Figure 1-11 Overview of Type IX Speed Dome

1.2 Cable Interfaces

The cable interfaces of the speed dome are shown below. The cables are distinguished by different colors. Refer to the labels attached on the cables for identification.

Notes:

- The cables vary depending on different speed dome models.

- Make sure the speed dome is power-off before you connect the cables.
- Water-proof treatment is required for cable connectors. Refer to **Section 2.9 and 2.10** for details.

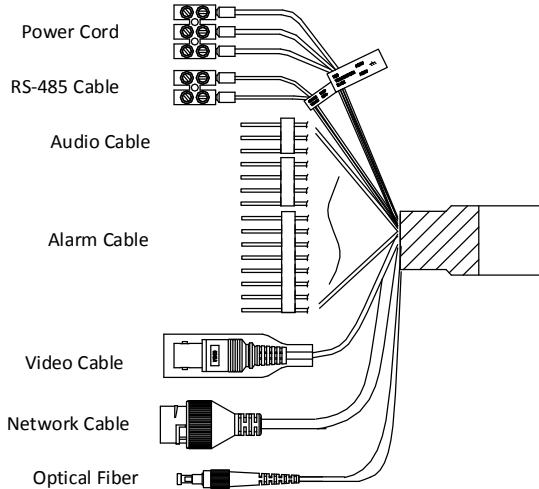


Figure 1-12 Cable Interfaces

1.3 Alarm Output

Alarm output is shown below.

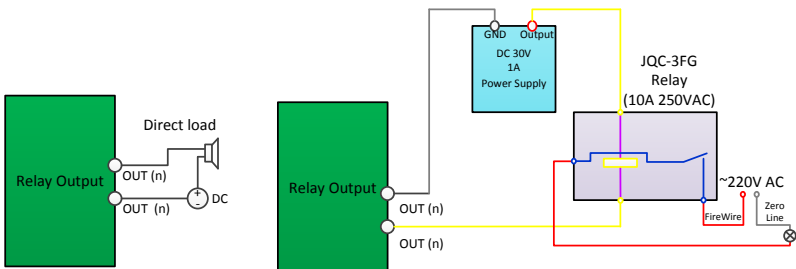


Figure 1-13 Alarm Output

2 Installation

Before you start:

Check the package contents and make sure that the device in the package is in good condition and all the assembly parts are included.

Notes:

- Do not touch the bubble directly by hand. The image blurs otherwise.
- Do not power the speed dome up until the installation is finished. To ensure the safety of personnel and equipment, all the installation steps should be done with power supply off.
- Do not drag the speed dome with its waterproof cables; otherwise the waterproof performance is affected.

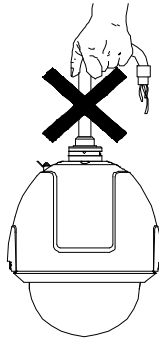


Figure 2-1 Do Not Drag the Cables

2.1 Installing Type I Speed Dome

2.1.1 Wall Mounting

Notes:

- For cement wall, you need to use the expansion screw to fix the bracket. The mounting hole of the expansion pipe on the wall should align with the mounting hole on the bracket.
- For wooden wall, you can just use the self-tapping screw to fix the bracket.
- Make sure that the wall is strong enough to withstand more than eight times the weight of the speed dome and the accessories.
- The bracket in Figure 2-7 is the recommended bracket for this series of speed dome, and a pendant adapter is required if any other bracket is selected. The dimension of pendant adapter is $G1\frac{1}{2}$.

- Water-proof treatment is required for cable connectors. Refer to **Section 2.9 and 2.10** for details.

Steps:

1. Loosen the two lock screws on both sides of the speed dome.

Note:

Do not remove the lock screws from the speed dome.

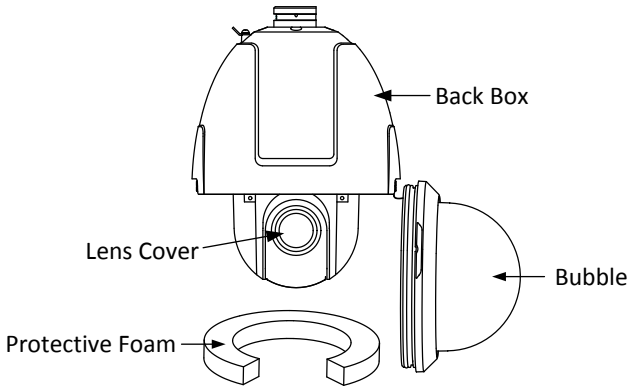


Figure 2-2 Remove the Bubble

2. Pull the bubble to separate it from the back box, and remove the protective accessories.

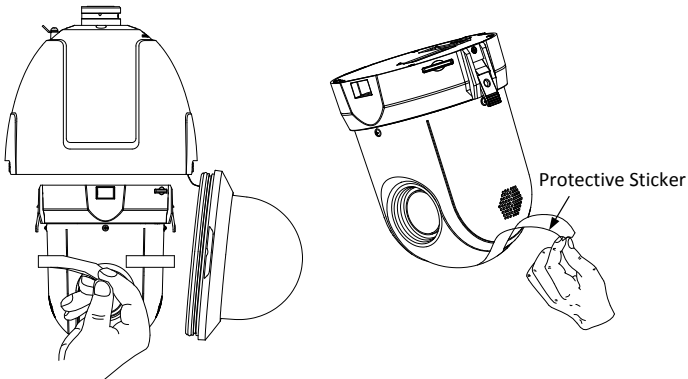


Figure 2-3 Remove the Protective Accessories for Separated Speed Dome

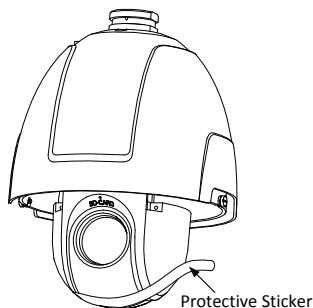


Figure 2-4 Remove the Protective Accessories for Integrated Speed Dome

3. If the speed dome supports PoE (Power over Ethernet) function, you can switch the PoE+ and Hi-PoE function for the speed dome. If PoE function is not supported, skip this step.

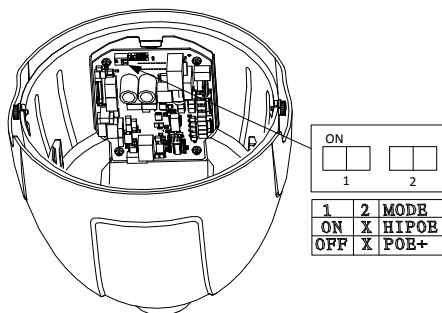


Figure 2-5 PoE+ and Hi-PoE Switch

Note:

If you choose Hi-PoE, a Hi-PoE adapter must be connected. The Hi-PoE module connection is shown in Figure 2-6.

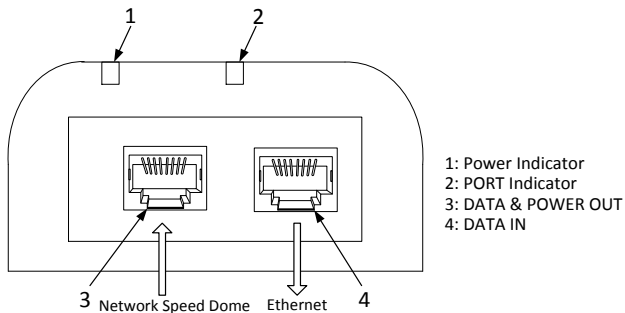


Figure 2-6 Hi-PoE Connection

Connecting Hi-PoE

Steps:

- 1) Connect the Hi-PoE module to the Internet via the DATA IN interface with a network cable.
- 2) Connect the Hi-PoE module to the speed dome via the DATA & POWER OUT interface with a network cable.
- 3) Power on the Hi-PoE module.
4. Install the memory card.
5. Align the cuts on the bubble with the lock screws on the back box to reinstall the bubble. Tighten the lock screws.
6. Install the bracket.
 - 1). Drill four screw holes in the wall according to the holes on the bracket, and then insert four M8 expansion screws into the mounting holes.
 - 2). Attach the gasket and the bracket to the wall by aligning the four screw holes on the bracket with four expansion screws on the wall.
 - 3). Secure the bracket with four hex nuts and washers.

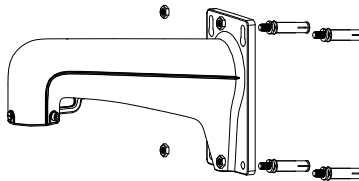


Figure 2-7 Secure the Bracket

7. Install the speed dome to the bracket.
 - 1). Hang the safety rope to the speed dome and the hook on the bracket as shown in Figure 2-8.
 - 2). Route the speed dome cables through the bracket.
 - 3). Connect the corresponding cables.

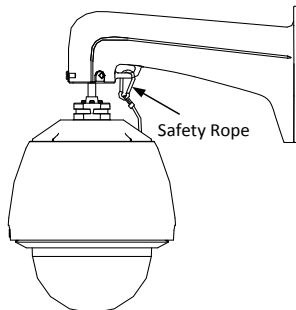


Figure 2-8 Hang the Safety Rope

- 4). Loosen the two lock screws on the bracket.
- 5). Install the speed dome to the bracket. Rotate the speed dome clockwise tightly.
- 6). Secure the two lock screws with the wrench.

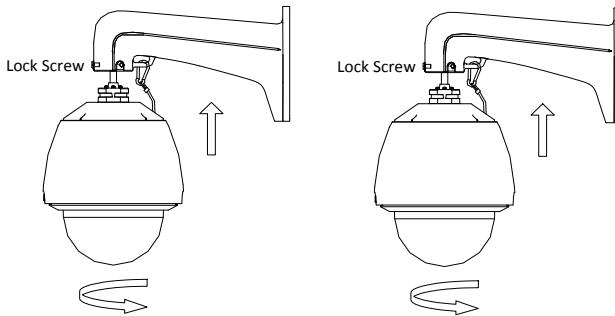


Figure 2-9 Install the Speed Dome to the Bracket

8. Remove the protective film on the bubble after the installation is finished.

2.1.2 In-ceiling Mounting

Note:

In-ceiling mounting is only supported by indoor speed dome models of Type I.

Before you start:

- The height of the space above the ceiling must be more than 250 mm.
- The thickness of the ceiling must range from 5 mm to 40 mm.
- The ceiling must be strong enough to withstand more than four times the weight of the speed dome and the accessories.
- Water-proof treatment is required for cable connectors. Refer to **Section 2.9 and 2.10** for details.

Steps:

1. Rotate the bubble counterclockwise to separate it from the back box.
2. Remove the protective lens cover, foam, and sticker from the dome drive.
3. Install the memory card.
4. Attach the bubble to the back box, and rotate clockwise to secure it.

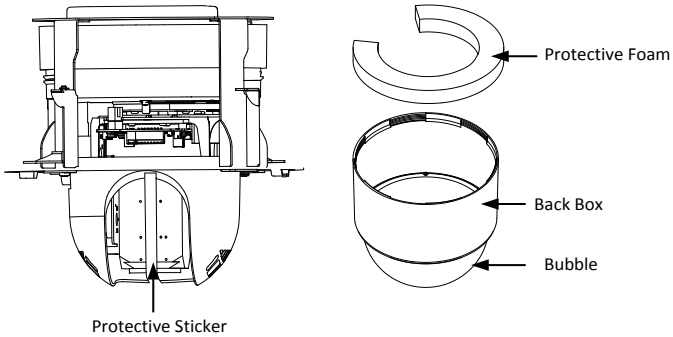


Figure 2-10 Remove the Protective Accessories

5. Drill a hole on the ceiling according to the drill template (supplied).

Note:

±2 mm of the circle diameter is tolerable.

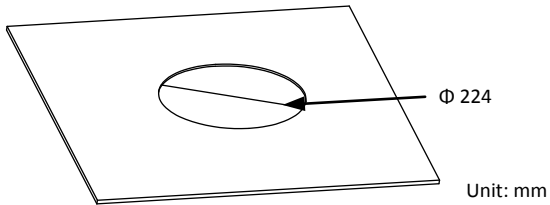


Figure 2-11 Drill a Hole on the Ceiling

6. Connect the cables.
7. Install the speed dome to the ceiling.
 - 1). Loosen the two lock screws on both sides of the back box and make the locks in internal position as shown in Figure 2-12.

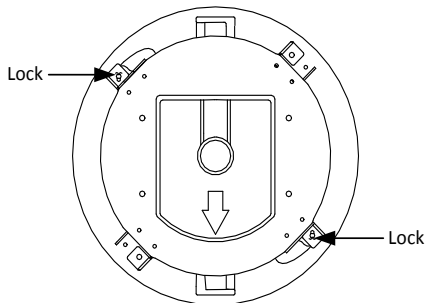


Figure 2-12 Locks and Lock Screws

- 2). Push the speed dome into the mounting hole in the ceiling.
- 3). Tighten the lock screws with the screwdriver and the locks will automatically rotate outwards to secure the in-ceiling bracket to the ceiling.

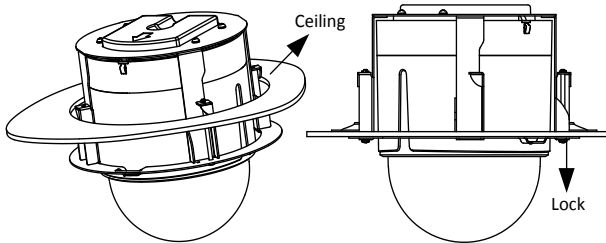


Figure 2-13 Install the Back Box

8. Install the flange.
 - 1). Attach the flange to the bubble and align the triangular notch of the trim ring with the arrow label on the in-ceiling bracket.
 - 2). Firmly place the flange to the ceiling, and rotate the flange in the direction of the arrow to secure it.

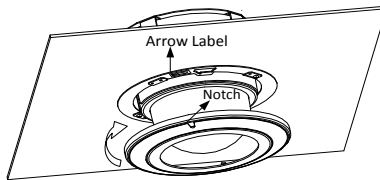


Figure 2-14 Install the Flange

9. Remove the protective film on the bubble after the installation is finished.

2.1.3 Ceiling Mounting

Note:

Ceiling mounting is only supported by indoor speed dome models of Type I.

Before you start:

- The thickness of the ceiling must range from 5 mm to 40 mm.
- The ceiling must be strong enough to withstand more than four times the weight of the speed dome and the accessories.
- If the speed dome is installed to the wooden ceiling, use the self-tapping screws to secure the mounting base.
- If the speed dome is installed to the cement ceiling, drill three $\Phi 5$ mm screw holes onto the ceiling according to the position of the holes, and then secure the mounting base to the ceiling with expansion screws.

- Water-proof treatment is required for cable connectors. Refer to **Section 2.9 and 2.10** for details.

Steps:

1. The ceiling mounting speed dome is installed with an in-ceiling bracket by default. You need to remove the in-ceiling bracket first before you install the speed dome.
 - 1). Loosen and remove the four screws as shown in Figure 2-15.

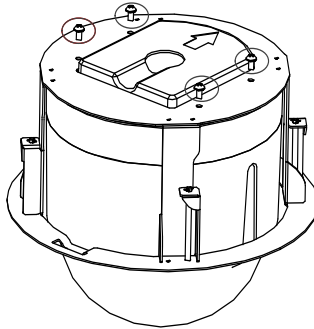


Figure 2-15 Remove the Screws

- 2). Remove the in-ceiling bracket as shown in Figure 2-16.

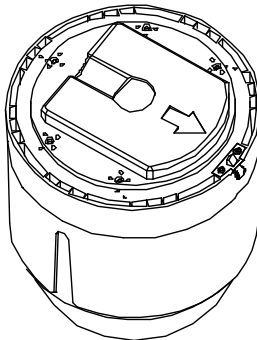


Figure 2-16 Remove the Bracket

- 3). Install four bolts to the screw holes as shown in Figure 2-17.

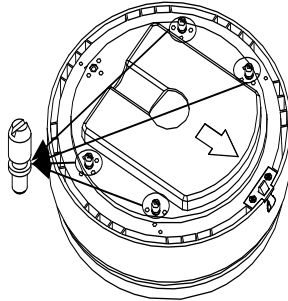


Figure 2-17 Install the bolts

2. Route the cables. The cables of speed dome can be routed either from the top or the side of the back box, as shown in Figure 2-18. For the cables routed from the top of the back box, it is required to drill a cable hole in the ceiling.

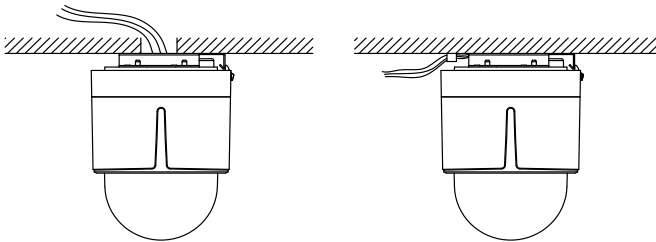


Figure 2-18 Cabling for Ceiling Mounting

3. Install the speed dome.
 - 1). Rotate the bubble counterclockwise to separate it from the back box.
 - 2). Remove the protective lens cover, foam, and sticker from the dome drive.
 - 3). Attach the bubble to the back box, and rotate clockwise to secure it.
 - 4). Use the mounting base as a template to mark four screw holes onto the ceiling.
 - 5). If you route cables from the top of the back box, mark the cable hole on the ceiling and drill a hole.
 - 6). Secure the mounting base to the ceiling with the set screws.

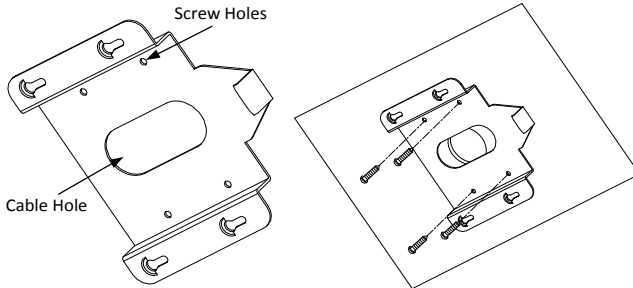


Figure 2-19 Secure the Mounting Base

- 7). Route the cables for the speed dome. Align the bottom of the speed dome with the mounting base.
- 8). Line up the direction of arrow with the spring end of the mounting base.
- 9). Push the speed dome upwards and then forwards in the direction of the arrow. When the speed dome is placed in position, the spring will automatically snap into the lock clip firmly as shown in Figure 2-20.

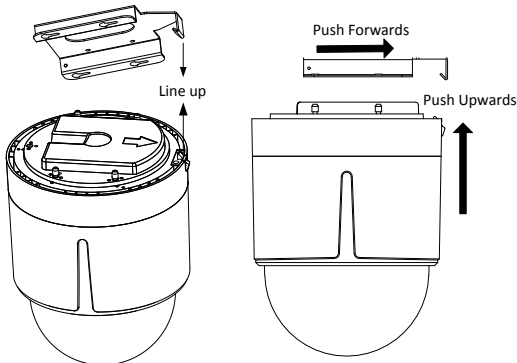


Figure 2-20 Attach the Back Box to the Mounting Base

4. Remove the protective film on the bubble after the installation is finished.

2.2 Installing Hole Type II Speed Dome

Wall Mounting

Notes:

- For cement wall, you need to use the expansion screw to fix the bracket. The mounting hole of the expansion pipe on the wall should align with the mounting hole on the bracket.

- For wooden wall, you can just use the self-tapping screw to fix the bracket.
- Make sure that the wall is strong enough to withstand more than eight times the weight of the speed dome and the accessories.
- The bracket shown in installation is the recommended bracket for this series of speed dome, and a pendent adapter is required if any other bracket is selected. The dimension of pendant adapter is $G1\frac{1}{2}$.
- Water-proof treatment is required for cable connectors. Refer to **Section 2.9 and 2.10** for details.

Steps:

1. Loosen the four lock screws on the speed dome flange as shown in Figure 2-21.

Note:

Do not remove the lock screws from the speed dome.

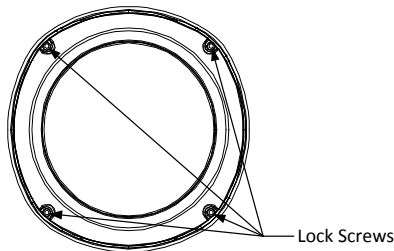


Figure 2-21 Loosen the Lock Screws

2. Pull the bubble to separate it from the back box, and remove the protective foam, sticker and lens cover from the dome drive.

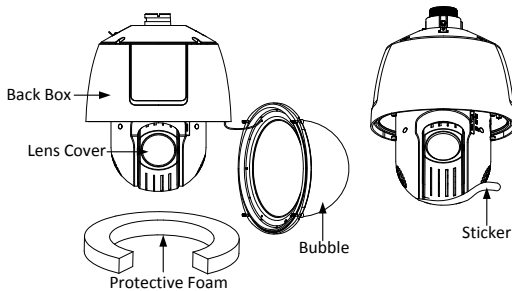


Figure 2-22 Remove the Protective Accessories

3. Install the memory card.

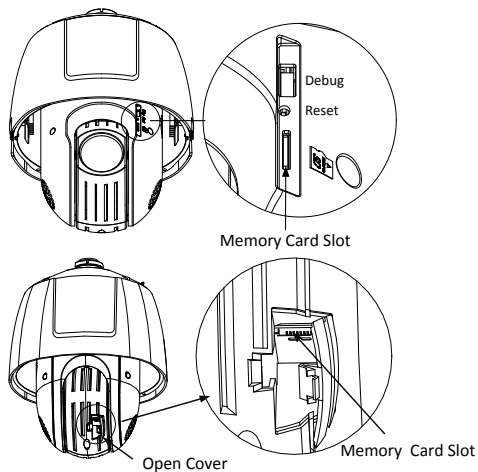


Figure 2-23 Install the Memory Card.

4. Align the cuts on the bubble with the lock screws on the back box to reinstall the bubble. Tighten the lock screws.
5. Refer to **steps 6** in **section 2.1.1 Wall Mounting** to install the bracket.
6. Install the speed dome to the bracket.
 - 1). Hook the back box of the speed dome to the bracket with the safety rope. Route the cables through the bracket.
 - 2). Connect the corresponding cables.

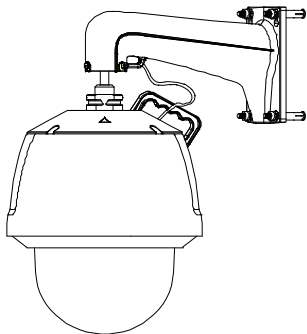


Figure 2-24 Hang the Safety Rope

- 3). Loosen the two lock screws on the bracket.
- 4). Install the speed dome to the bracket. Rotate the speed dome clockwise tightly.
- 5). Secure the two lock screws with the wrench.

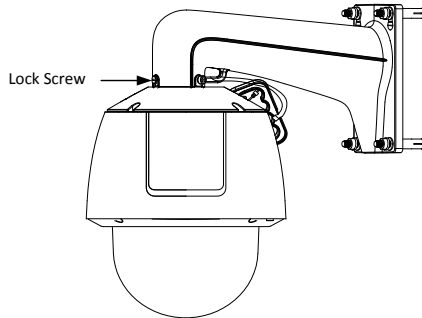


Figure 2-25 Install the Speed Dome to the Bracket

7. Remove the protective film on the bubble after the installation is finished.

2.3 Installing Type III Speed Dome

Wall Mounting

Notes:

- For cement wall, you need to use the expansion screw to fix the bracket. The mounting hole of the expansion pipe on the wall should align with the mounting hole on the bracket.
- For wooden wall, you can just use the self-tapping screw to fix the bracket.
- Make sure that the wall is strong enough to withstand more than eight times the weight of the speed dome and the accessories.
- The bracket in the installation is the recommended bracket for this series of speed dome, and a pendant adapter is required if any other bracket is selected. The dimension of pendant adapter is $G1\frac{1}{2}$.
- Water-proof treatment is required for cable connectors. Refer to **Section 2.9 and 2.10** for details.

Steps:

1. Remove the protective sticker as shown in Figure 2-26.

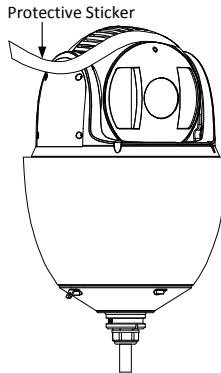


Figure 2-26 Remove Protective Sticker

2. Remove the cover on the back of speed dome as shown in Figure 2-27. Insert the memory card to the memory card slot and install the cover back.

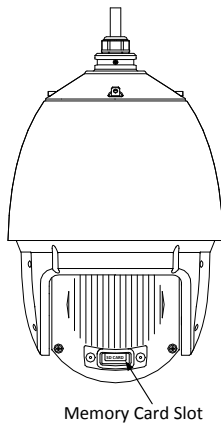


Figure 2-27 Memory Card Slot

3. Refer to **steps 6** in **section 2.1.1 Wall Mounting** to install the bracket.
4. Hook the two ends of the safety rope to the speed dome back box and the bracket respectively. Route the cables through the bracket.

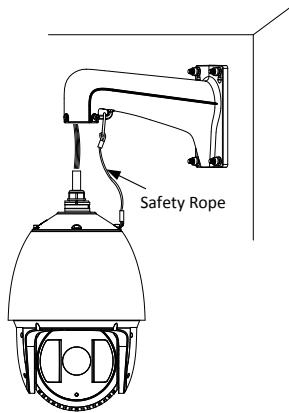


Figure 2-28 Install the Safety Rope

5. Loosen the lock screws on the bracket.
6. Align the speed dome with bracket and rotate it counterclockwise or clockwise to the bracket tightly as shown in Figure 2-29.

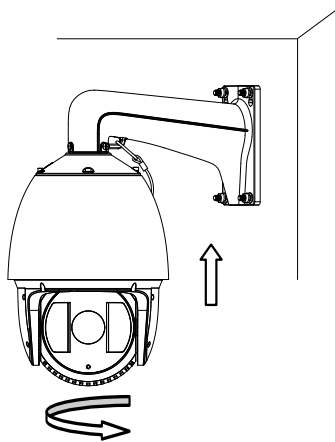


Figure 2-29 Install the Speed dome

7. Use the wrench to tighten the lock screws to secure the speed dome and the bracket.

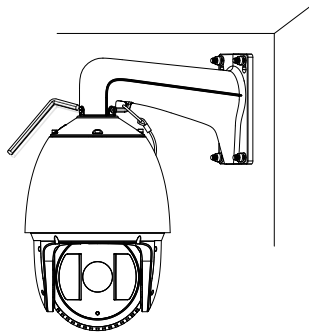


Figure 2-30 Secure the Speed dome

8. Remove the protective film on the bubble after the installation is finished.

2.4 Installing Type IV Speed Dome

Wall Mounting

Notes:

- For cement wall, you need to use the expansion screw to fix the bracket. The mounting hole of the expansion pipe on the wall should align with the mounting hole on the bracket.
- For wooden wall, you can just use the self-tapping screw to fix the bracket.
- Make sure that the wall is strong enough to withstand more than eight times the weight of the speed dome and the accessories.
- The bracket in the installation is the recommended bracket for this series of speed dome, and a pendant adapter is required if any other bracket is selected. The dimension of pendant adapter is $G1\frac{1}{2}$.

Steps:

1. Remove the protective sticker as shown in Figure 2-31.

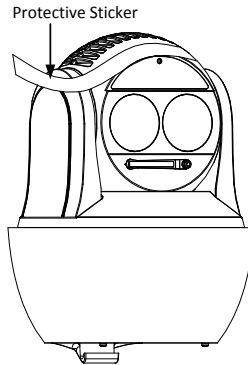


Figure 2-31 Remove Protective Sticker

2. Remove the cover on the back of speed dome as shown in Figure 2-32. Insert the memory card to the memory card slot and install the cover back.

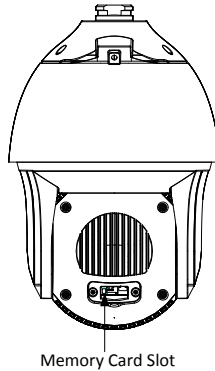


Figure 2-32 Memory Card Slot

3. Secure the bracket with four hex nuts and washers.

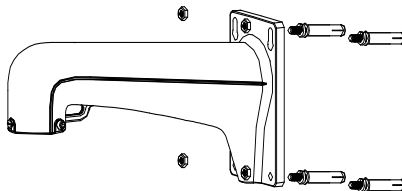


Figure 2-33 Secure the Bracket

4. Apply thread tape to the thread of the head cover and rotate the head cover to the bracket. Secure the head cover to the bracket with set screws (supplied).

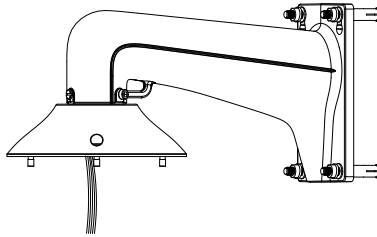


Figure 2-34 Secure the Head Cover

5. Buckle the handle to the safety rope.

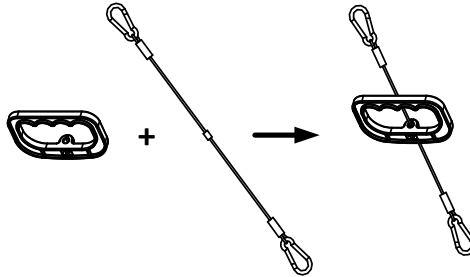


Figure 2-35 Buckle the Handle

6. Hook the two ends of the safety rope to the speed dome back box and the bracket respectively.
7. Hitch the speed dome onto the head cover with the hook on the back box.

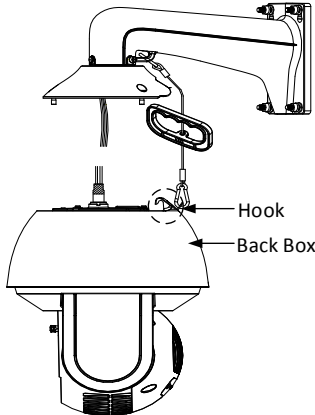


Figure 2-36 Hang the Speed Dome

8. Route and connect cables through the head cover and bracket.

Note:

Water-proof treatment is required for cable connectors. Refer to **Section 2.9 and 2.10** for details.

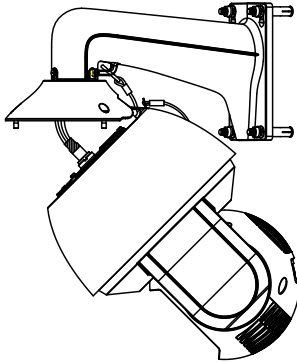


Figure 2-37 Route the Cables

9. Align the speed dome back box with the head cover. Use the wrench to tighten the lock screws to secure the speed dome and the bracket.

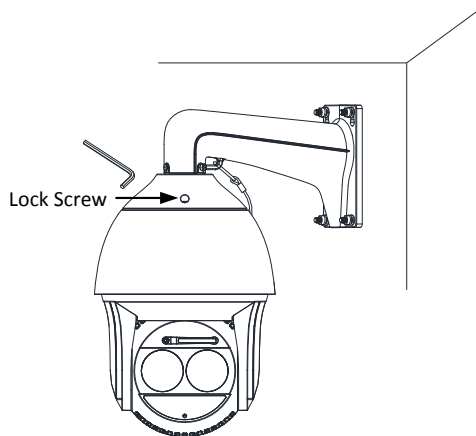


Figure 2-38 Secure the Speed dome

10. Remove the protective film on the bubble after the installation is finished.

2.5 Installing Type V Speed Dome

Wall Mounting

Notes:

- For cement wall, you need to use the expansion screw to fix the bracket. The mounting hole of the expansion pipe on the wall should align with the mounting hole on the bracket.
- For wooden wall, you can just use the self-tapping screw to fix the bracket.
- Make sure that the wall is strong enough to withstand more than eight times the weight of the speed dome and the accessories.
- The bracket in the installation is the recommended bracket for this series of speed dome, and a pendent adapter is required if any other bracket is selected. The dimension of pendant adapter is $G1\frac{1}{2}$.

Steps:

1. Remove the protective sticker as shown in Figure 2-39.

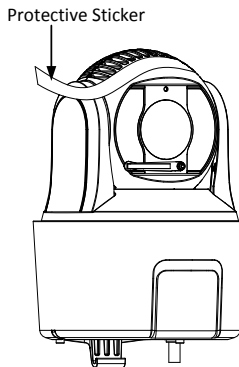
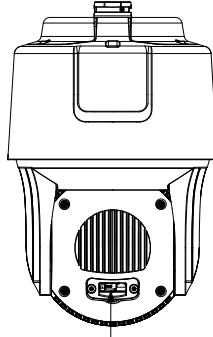


Figure 2-39 Remove Protective Sticker

2. Remove the cover on the back of speed dome as shown in Figure 2-40. Insert the memory card to the memory card slot and install the cover back.



Memory Card Slot

Figure 2-40 Memory Card Slot

3. Secure the bracket with four hex nuts and washers.

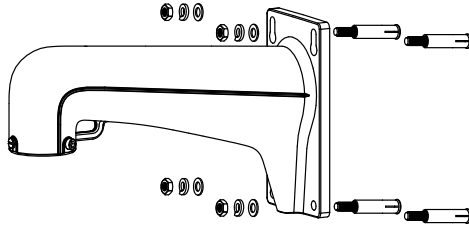


Figure 2-41 Secure the Bracket

4. Apply thread tape to the thread of the head cover and rotate the head cover to the bracket. Secure the head cover to the bracket with set screws (supplied).

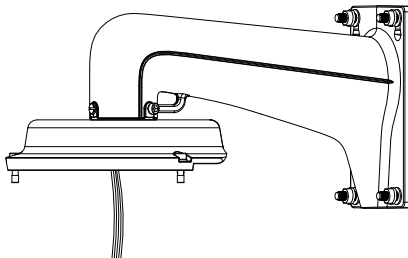


Figure 2-42 Secure the Head Cover

5. Buckle the handle to the safety rope.

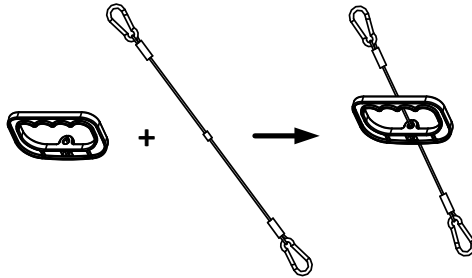


Figure 2-43 Buckle the Handle

6. Hook the two ends of the safety rope to the speed dome back box and the bracket respectively.
7. Hitch the speed dome onto the head cover with the hook on the back box.

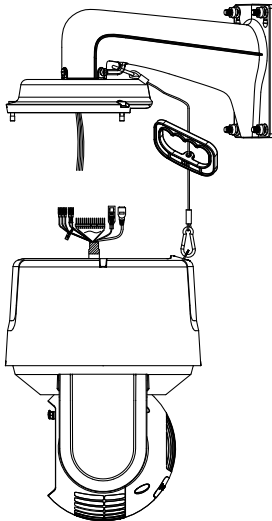


Figure 2-44 Hang the Speed Dome

8. Route and connect the cables through the head cover and bracket.

Note:

Water-proof treatment is required for cable connectors. Refer to **Section 2.9 and 2.10** for details.

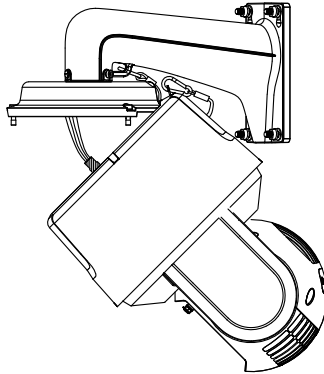


Figure 2-45 Route the Cables

9. Align the speed dome back box with the head cover. Use the wrench to tighten the lock screws to secure the speed dome and the bracket.

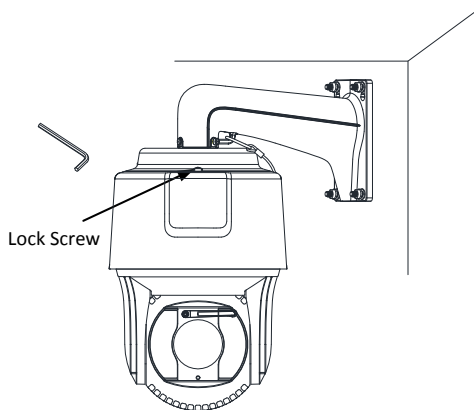


Figure 2-46 Secure the Speed dome

10. Remove the protective film on the bubble after the installation is finished.

2.6 Installing Type VI and VII Speed Dome

Wall Mounting

Notes:

- You can use wall mounting bracket alone, or you can use wall mounting bracket together with a corner mounting bracket or a vertical pole mounting bracket to fix the speed dome at a corner or on a pole.

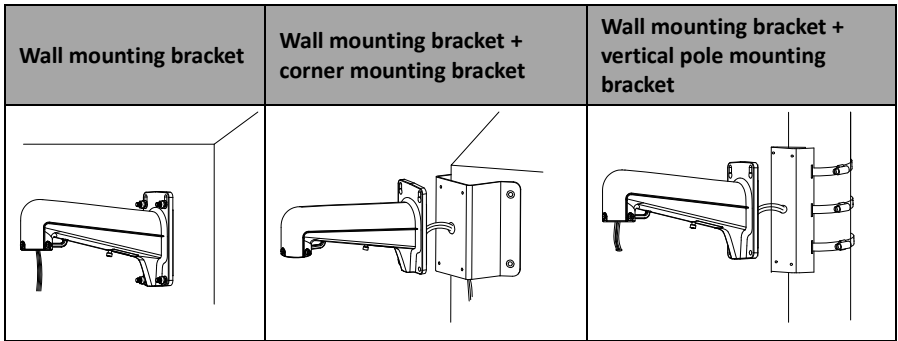


Figure 2-47 Brackets for Installation

- For cement wall, you need to use the expansion screw to fix the bracket. The mounting hole of the expansion pipe on the wall should align with the mounting hole on the bracket.
- For wooden wall, you can just use the self-tapping screw to fix the bracket.
- Make sure that the wall is strong enough to withstand more than eight times the weight of the speed dome and the accessories.
- If you use the brackets the dealer recommends, the pendant adapter in the package is not needed during installation. The included pendant adapter might be useful if you use other brackets. The dimension of pendant adapter is $G1\frac{1}{2}$.

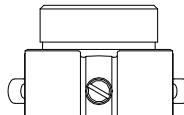


Figure 2-48 Supplied Pendant Adapter

Steps:

1. Route the cables and install the brackets.
2. Fix the head cover to the wall mounting bracket.
 - 1). Apply thread tape to the thread of the head cover and rotate the head cover to the bracket.
 - 2). Tighten the lock screws.

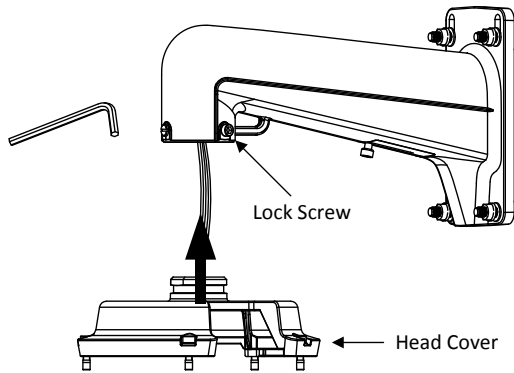


Figure 2-49 Fix Head Cover to Bracket

3. Hook the speed dome to the bracket with supplied safety rope.

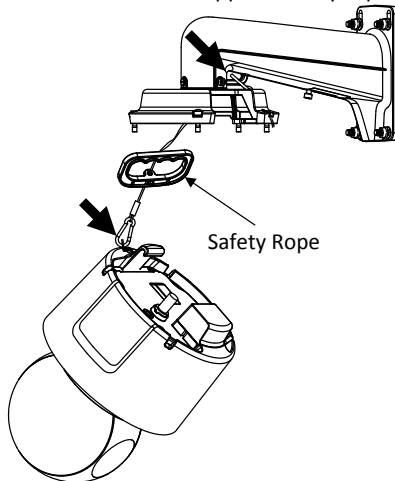


Figure 2-50 Use Safety Rope to Hook the Speed Dome to Bracket

4. Connect the cables.

Note:

- You can pull the cables through the small door on the wall mounting bracket. Unscrew to open it.
- Water-proof treatment is required for cable connectors. Refer to **Section 2.9 and 2.10** for details.

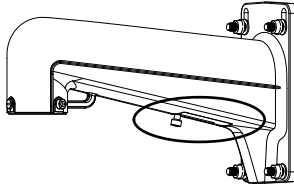


Figure 2-51 Door on Bracket

5. Align the speed dome with the head cover. Use the wrench to tighten the lock screws.

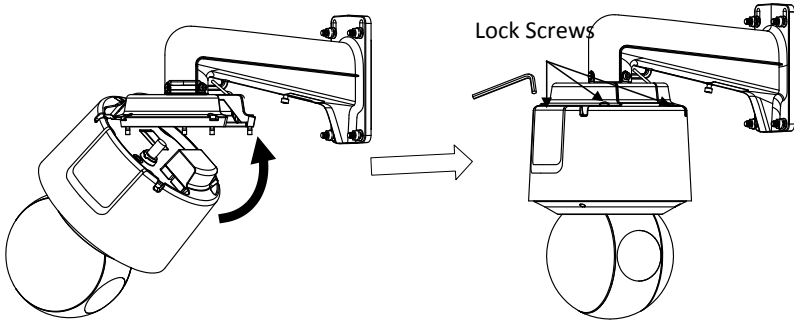


Figure 2-52 Fix the Speed Dome to Head Cover

Pendant Mounting

Notes:

- For cement ceiling, you need to use the expansion screw to fix the bracket. The mounting hole of the expansion pipe on the wall should align with the mounting hole on the bracket.
- For wooden ceiling, you can just use the self-tapping screw to fix the bracket.
- Make sure that the ceiling is strong enough to withstand more than eight times the weight of the speed dome and the accessories.
- If you use the brackets the dealer recommends, the pendant adapter in the package is not needed during installation. The included pendant adapter might be useful if you use other brackets. The dimension of pendant adapter is $G1\frac{1}{2}$.

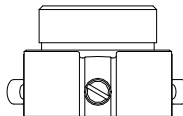


Figure 2-53 Supplied Pendant Adapter

Steps:

1. Fix the pendant mounting bracket to ceiling.

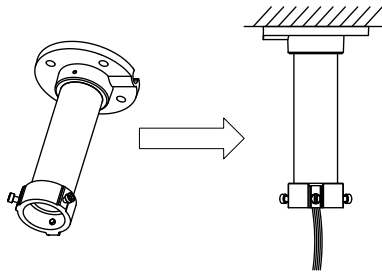


Figure 2-54 Fix the Bracket to Ceiling

2. Fix the head cover to the pendant mounting bracket.

- 1). Apply thread tape to the thread of the head cover and rotate the head cover to the bracket.
- 2). Tighten the lock screws.

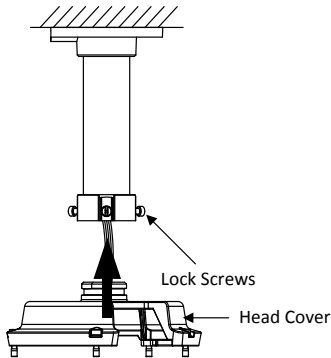


Figure 2-55 Fix Head Cover to Bracket

3. Hook the speed dome to the bracket with supplied safety rope.

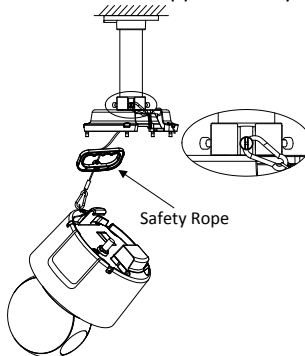


Figure 2-56 Use Safety Rope to Hook the Speed Dome to Bracket

4. Connect the cables.

Note:

Water-proof treatment is required for cable connectors. Refer to **Section 2.9 and 2.10** for details.

5. Align the speed dome with the head cover. Use the wrench to tighten the lock screws.

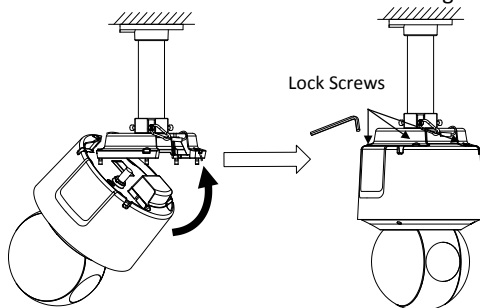


Figure 2-57 Fix the Speed Dome to Head Cover

2.7 Installing Type VIII Speed Dome

Wall Mounting

Notes:

- For cement wall, you need to use the expansion screw to fix the bracket. The mounting hole of the expansion pipe on the wall should align with the mounting hole on the bracket.
- For wooden wall, you can just use the self-tapping screw to fix the bracket.
- Make sure that the wall is strong enough to withstand more than eight times the weight of the speed dome and the accessories.
- Water-proof treatment is required for cable connectors. Refer to **Section 2.9 and 2.10** for details.

Steps:

1. Install the bracket.
 - 1) Drill four screw holes in the wall according to the holes on the bracket, and then insert four expansion screws into the mounting holes.
 - 2) Attach the bracket to the wall by aligning the four screw holes on the bracket with four expansion screws on the wall.
 - 3) Secure the bracket with four sets of hex nuts and washers.

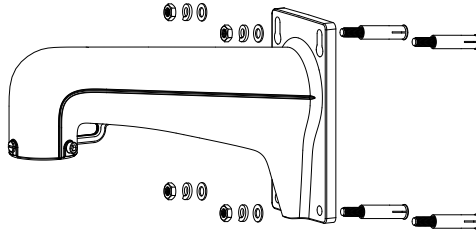


Figure 2-58 Install the bracket

2. Use the wrench to fix head cover on the bracket.

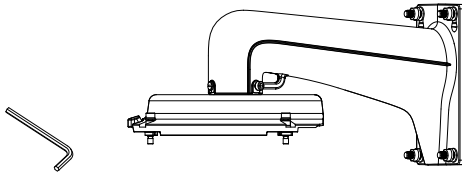


Figure 2-59 Install head cover

3. Hook the speed dome to the bracket with supplied safety rope.

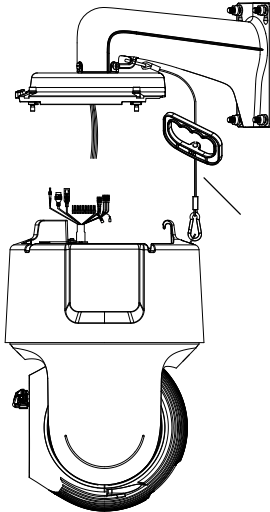


Figure 2-60 Use Safety Rope to hook the camera to the bracket

4. Route and connect the cables through the head cover and bracket.

Note:

Water-proof treatment is required for cable connectors. Refer to **Section 2.9 and 2.10** for details.

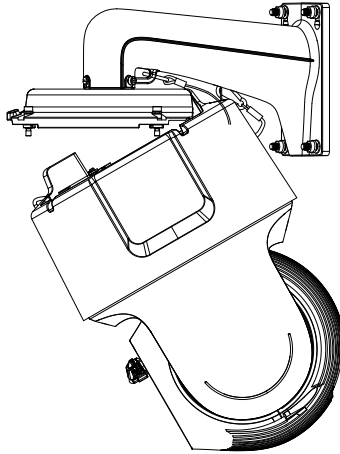


Figure 2-61 Connect the cables

5. Align the speed dome with the head cover. Use the wrench to tighten the lock screws.

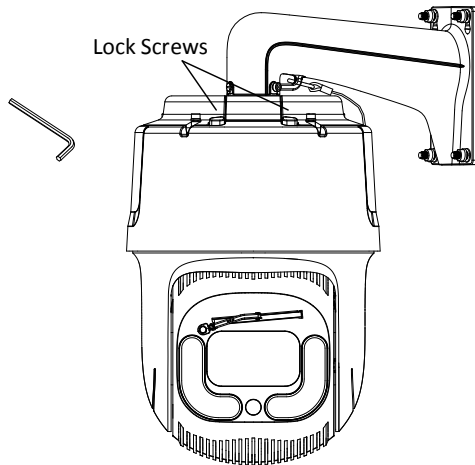


Figure 2-62 Secure the speed dome

Horizontal Pole Mounting

Before you start:

Prepare one bracket and three hoops, and fix the hoops on the bracket.

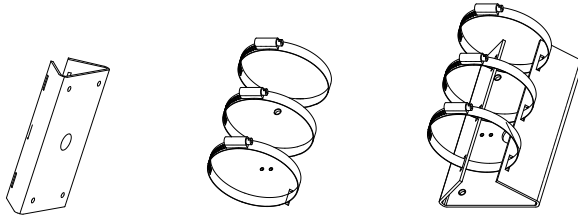


Figure 2-63 Prepare accessory

Steps:

1. Lock the hoops and bracket on a horizontal pole, and route the cables through the vertical mounting bracket. Then fix the vertical mounting bracket on the bracket attached on the pole before.

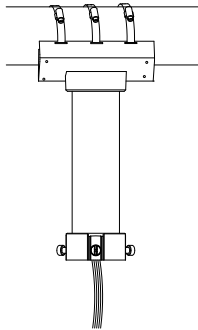


Figure 2-64 Route the cables

2. Use the wrench to fix the head cover on the bracket.

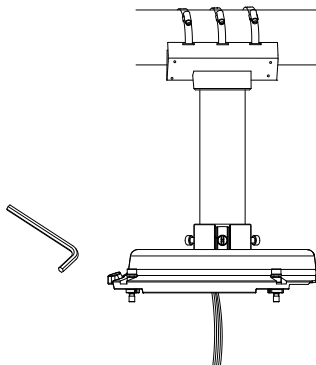


Figure 2-65 Fix the head cover

- Hook the speed dome to the bracket with supplied safety rope.

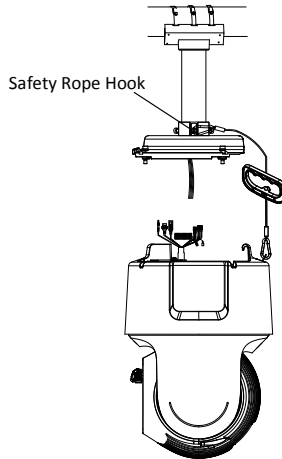


Figure 2-66 Use safe rope to hook the camera with bracket

- Connect the cables, and align the speed dome with the head cover, using wrench to tighten the screws on the head cover.

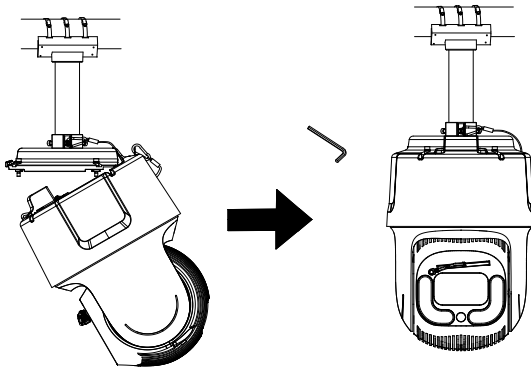


Figure 2-67 Finish the installation

Vertical Pole Mounting

Before you start:

Prepare one bracket and three hoops, and fix the hoops on the bracket.

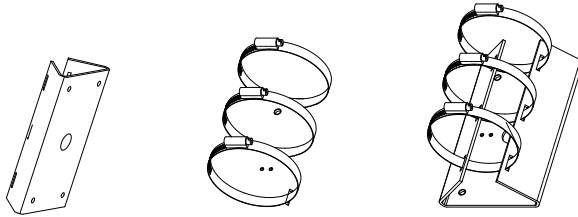


Figure 2-68 Prepare accessory

Steps:

1. Lock the hoops and bracket on a vertical pole, and route the cables through the vertical mounting bracket. Then fix the vertical mounting bracket on the bracket attached on the pole before.

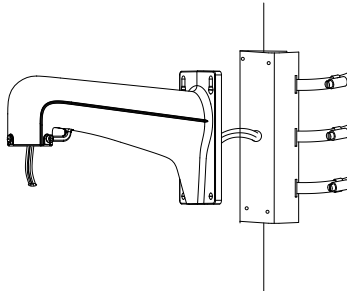


Figure 2-69 Route the cables

2. Use the wrench to fix the head cover on the bracket.

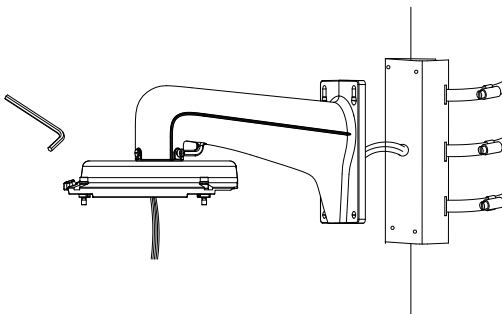


Figure 2-70 Fix the head cover

3. Hook the speed dome to the bracket with supplied safety rope.

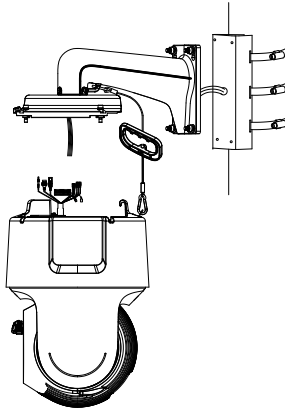


Figure 2-71 Use safe rope to hook the camera with bracket

4. Connect the cables, and align the speed dome with the head cover, using wrench to tighten the screws on the head cover.

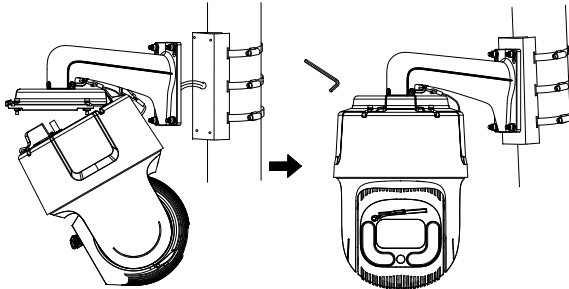


Figure 2-72 Finish the installation

Pendant Mounting

Steps:

1. Drill four holes on the ceiling to match those on the pendant mount bracket.

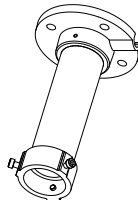


Figure 2-73 Pendant mount

2. Route the cables through the bracket, then align the base plate to the holes and fix it to the ceiling with four screws.

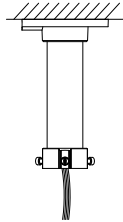


Figure 2-74 Route the cables and fix the bracket on the ceiling

3. Use the wrench to fix the head cover on the bracket.

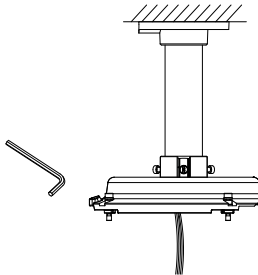


Figure 2-75 Fix the head cover

4. Hook the speed dome to the bracket with supplied safety rope.

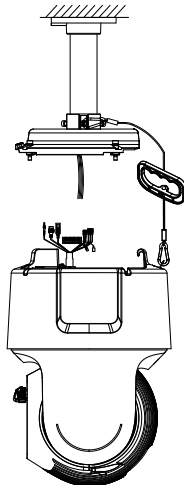


Figure 2-76 Use safe rope to hook the camera with bracket

5. Connect the cables, and align the speed dome with the head cover, using wrench to tighten the screws on the head cover.

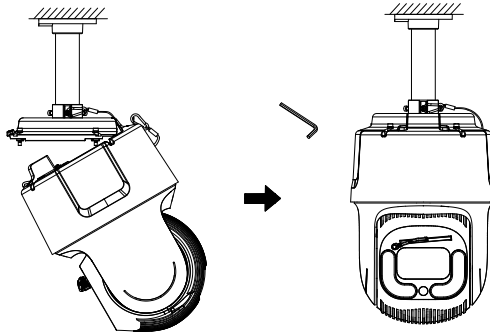


Figure 2-77 Finish the installation

2.8 Installing Type IX Speed Dome

Wall Mounting

Notes:

- You can use a wall mounting bracket alone, or you can use a wall mounting bracket together with a corner mounting bracket or a vertical pole mounting bracket to fix the speed dome at a corner or on a pole.
- The brackets are not included. You should purchase separately.

Wall mounting bracket	Wall mounting bracket + corner mounting bracket	Wall mounting bracket + vertical pole mounting bracket

Figure 2-78 Brackets for Installation

- For cement wall, you need to use the expansion screw to fix the bracket. The mounting hole of the expansion pipe on the wall should align with the mounting hole on the bracket.
- For wooden wall, you can just use the self-tapping screw to fix the bracket.

- Make sure that the wall is strong enough to withstand more than eight times the weight of the speed dome and the accessories.
- If you use the brackets the dealer recommends, the pendant adapter in the package is not needed during installation. The included pendant adapter might be useful if you use other brackets. The dimension of pendant adapter is $G1\frac{1}{2}$.

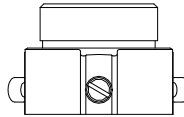


Figure 2-79 Supplied Pendant Adapter

Steps:

1. Refer to **steps 6 in section 2.1.1 Wall Mounting** to install the bracket.
2. Refer to **steps 4 to 8 in section 2.3 Installing Type III Speed Dome** to finish installation.

Pendant Mounting

Steps:

1. Refer to **steps 1 and 2 of pendant mounting in section 2.7 Installing Type VIII Speed Dome Pendant Mounting** to install the bracket.
2. Refer to **steps 4 to 8 in section 2.3 Installing Type III Speed Dome** to finish installation.

2.9 Installation of Network Cable Waterproof Jacket

Purpose:

If the camera is installed outdoor, you should use the waterproof accessory or tapes to waterproof the cables. Otherwise the cables might get wet or a short circuit occurs.

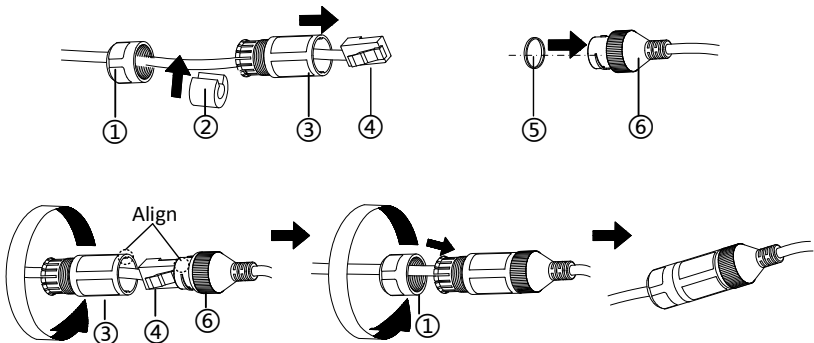


Figure 2-80 Install Waterproof Jacket

Steps:

1. Feed the network cable through ① and ③ in order.
2. Fix ② on the network cable between ① and ③.
3. Place ⑤ onto the end of ⑥, and plug the RJ45 male connector into RJ45 female connector.
4. Screw ③ to ⑥ clockwise.
5. Push ② into ③.
6. Secure ① with the ③ in clockwise direction.

2.10 Installation of Water-proof Tape

Purpose:

If the camera is installed outdoor, you can use supplied water-proof tape to protect cable connectors and unused cables after the camera is secured on the installation surface.

Steps:

1. Tear off the yellow release paper on the back of the water-proof tape.
2. Stretch the water-proof tape to reach twice the initial length.

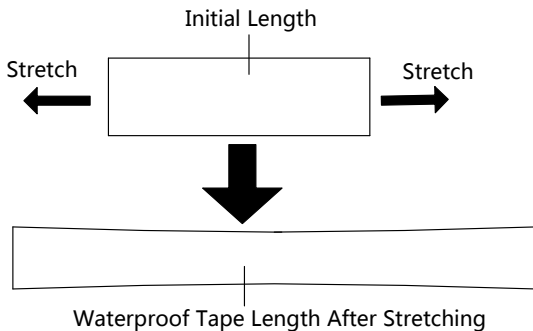


Figure 2-81 Stretch the Water-proof Tape

3. Wrap the water-proof tape around the cable connector tightly as the figure below.

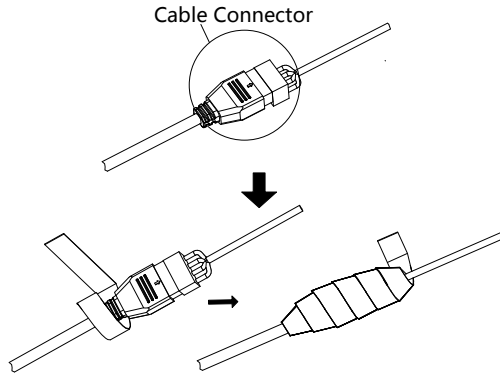


Figure 2-82 Wrap the Water-proof Tape

Note:

Make sure that all naked wires are all firmly wrapped in the water-proof tape.

4. Press the tape on both ends of the connector to make sure no water can get in as the figure below.

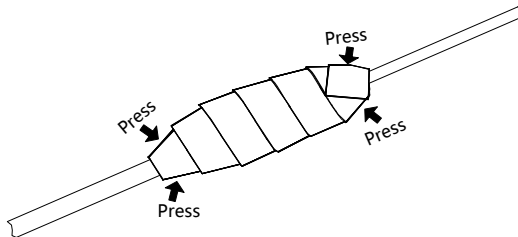


Figure 2-83 Press the Water-proof Tape

5. Wrap the water-proof tape around the remaining unused cables tightly as the figure below.

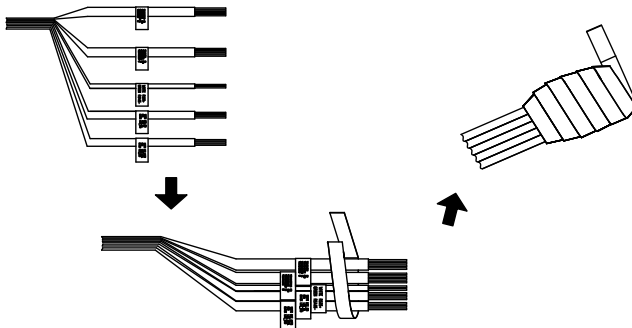


Figure 2-84 Wrap the Unused Cables

Note:

Make sure that all naked wires are all firmly wrapped in the water-proof tape.

6. Press the tape to make sure no water can get in as the figure below.

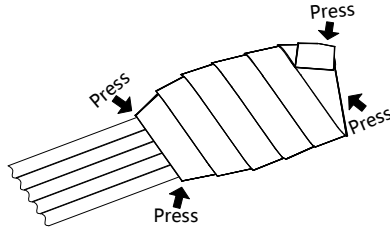


Figure 2-85 Press the Water-proof Tape

2.11 Protective Measures for Outdoor Installation

If the device is installed outdoors, necessary protective measures should be taken to ensure safety. Scan the following QR code to get protective measures for outdoor installation.



3 Activate and Access Network Camera

Scan the QR code to get *Activate and Visit Network Camera*. Note that mobile data charges may apply if Wi-Fi is unavailable.



