



Video Intercom Module Door Station

User Manual

User Manual

©2018 Hangzhou Hikvision Digital Technology Co., Ltd.

This user manual is intended for users of module door station.

The door station supports custom combination. You can choose from the modules listed below according to needs.

Name	Model
Main Unit	DS-KD8003-IME1
Nametag Module	DS-KD-KK
Keypad Module	DS-KD-KP
Card Reader Module	DS-KD-M(13.56 MHz)
	DS-KD-E(125 KHz)
Indicator Module	DS-KD-IN
Blank Module	DS-KD-BK

It includes instructions on how to use the Product. The software embodied in the Product is governed by the user license agreement covering that Product.

About this Manual

This Manual is subject to domestic and international copyright protection. Hangzhou Hikvision Digital Technology Co., Ltd. ("Hikvision") reserves all rights to this manual. This manual cannot be reproduced, changed, translated, or distributed, partially or wholly, by any means, without the prior written permission of Hikvision.

Trademarks

HIKVISION and other Hikvision marks are the property of Hikvision and are registered trademarks or the subject of applications for the same by Hikvision and/or its affiliates. Other trademarks mentioned in this manual are the properties of their respective owners. No right of license is given to use such trademarks without express permission.

Disclaimer

TO THE MAXIMUM EXTENT PERMITTED BY APPLICABLE LAW, HIKVISION MAKES NO WARRANTIES, EXPRESS OR IMPLIED, INCLUDING WITHOUT LIMITATION THE IMPLIED WARRANTIES OF MERCHANTABILITY AND FITNESS FOR A PARTICULAR PURPOSE, REGARDING THIS MANUAL. HIKVISION DOES NOT WARRANT, GUARANTEE, OR MAKE ANY REPRESENTATIONS REGARDING THE USE OF THE MANUAL, OR THE CORRECTNESS, ACCURACY, OR RELIABILITY OF INFORMATION CONTAINED HEREIN. YOUR USE OF THIS MANUAL AND ANY RELIANCE ON THIS MANUAL SHALL BE WHOLLY AT YOUR OWN RISK AND RESPONSIBILITY.

TO THE MAXIMUM EXTENT PERMITTED BY APPLICABLE LAW, IN NO EVENT WILL HIKVISION, ITS DIRECTORS, OFFICERS, EMPLOYEES, OR AGENTS BE LIABLE TO YOU FOR ANY SPECIAL, CONSEQUENTIAL, INCIDENTAL, OR INDIRECT DAMAGES, INCLUDING, AMONG OTHERS, DAMAGES FOR LOSS OF BUSINESS PROFITS, BUSINESS INTERRUPTION, SECURITY BREACHES, OR LOSS OF DATA OR DOCUMENTATION, IN CONNECTION WITH THE USE OF OR RELIANCE ON THIS MANUAL, EVEN IF HIKVISION HAS BEEN ADVISED OF THE POSSIBILITY OF SUCH DAMAGES.

SOME JURISDICTIONS DO NOT ALLOW THE EXCLUSION OR LIMITATION OF LIABILITY OR CERTAIN DAMAGES, SO SOME OR ALL OF THE ABOVE EXCLUSIONS OR LIMITATIONS MAY NOT APPLY TO YOU.

Support

Should you have any questions, please do not hesitate to contact your local dealer.

Regulatory Information

FCC Information

Please take attention that changes or modification not expressly approved by the party responsible for compliance could void the user's authority to operate the equipment.

FCC compliance: This equipment has been tested and found to comply with the limits for a Class B digital device, pursuant to part 15 of the FCC Rules. These limits are designed to provide reasonable protection against harmful interference in a residential installation. This equipment generates, uses and can radiate radio frequency energy and, if not installed and used in accordance with the instructions, may cause harmful interference to radio communications. However, there is no guarantee that interference will not occur in a particular installation. If this equipment does cause harmful interference to radio or television reception, which can be determined by turning the equipment off and on, the user is encouraged to try to correct the interference by one or more of the following measures:

- Reorient or relocate the receiving antenna.
- Increase the separation between the equipment and receiver.
- Connect the equipment into an outlet on a circuit different from that to which the receiver is connected.
- Consult the dealer or an experienced radio/TV technician for help.

FCC Conditions

This device complies with part 15 of the FCC Rules. Operation is subject to the following two conditions:

1. This device may not cause harmful interference.
2. This device must accept any interference received, including interference that may cause undesired operation.

EU Conformity Statement



This product and - if applicable - the supplied accessories too are marked with "CE" and comply therefore with the applicable harmonized European standards listed under the EMC Directive 2014/30/EU, LVD Directive 2014/35/EU, the RoHS Directive 2011/65/EU.



2012/19/EU (WEEE directive): Products marked with this symbol cannot be disposed of as unsorted municipal waste in the European Union. For proper recycling, return this product to your local supplier upon the purchase of equivalent new equipment, or dispose of it at designated collection points. For more information see:

www.recyclethis.info



2006/66/EC (battery directive): This product contains a battery that cannot be disposed of as unsorted municipal waste in the European Union. See the product documentation for specific battery information. The battery is marked with this symbol, which may include lettering to indicate cadmium (Cd), lead (Pb), or mercury (Hg). For proper recycling, return the battery to your supplier or to a designated collection point. For more information see: www.recyclethis.info



Safety Instruction

These instructions are intended to ensure that user can use the product correctly to avoid danger or property loss.

The precaution measure is divided into **Warnings** and **Cautions**:

Warnings: Neglecting any of the warnings may cause serious injury or death.

Cautions: Neglecting any of the cautions may cause injury or equipment damage.

	
Warnings Follow these safeguards to prevent serious injury or death.	Cautions Follow these precautions to prevent potential injury or material damage.



Warnings

- The working temperature of the device is from -40° C to 60° C.
- All the electronic operation should be strictly compliance with the electrical safety regulations, fire prevention regulations and other related regulations in your local region.
- Please use the power adapter, which is provided by normal company. The power consumption cannot be less than the required value.
- Do not connect several devices to one power adapter as adapter overload may cause over-heat or fire hazard.
- Please make sure that the power has been disconnected before you wire, install or dismantle the device.
- When the product is installed on wall or ceiling, the device shall be firmly fixed.
- If smoke, odors or noise rise from the device, turn off the power at once and unplug the power cable, and then please contact the service center.
- If the product does not work properly, please contact your dealer or the nearest service center. Never attempt to disassemble the device yourself. (We shall not assume any responsibility for problems caused by unauthorized repair or maintenance.)
- The power supply must conform to LPS. The recommended adaptor models and manufacturers are shown as below. Use the attached adaptor, and do not change the adaptor randomly.

Model	Manufacturer	Standard
ADS-24S-12 1224GPCN	Shenzhen Honor Electronic Co., Ltd.	GB
KPL-060F-VI	Channel Well Technology Co., Ltd.	GB



Cautions

- Do not drop the device or subject it to physical shock, and do not expose it to high electromagnetism radiation. Avoid the equipment installation on vibrations surface or places subject to shock (ignorance can cause equipment damage).
- Do not place the device in extremely hot (refer to the specification of the device for the detailed operating temperature), cold, dusty or damp locations, and do not expose it to high electromagnetic radiation.
- Do not aim the device at the sun or extra bright places. A blooming or smear may occur otherwise (which is not a malfunction however), and affecting the endurance of sensor at the same time.
- Please use a soft and dry cloth when clean inside and outside surfaces of the device cover, do not use alkaline detergents.
- Please keep all wrappers after unpack them for future use. In case of any failure occurred, you need to return the device to the factory with the original wrapper. Transportation without the original wrapper may result in damage on the device and lead to additional costs.
- Improper use or replacement of the battery may result in hazard of explosion. Replace with the same or equivalent type only. Dispose of used batteries according to the instructions provided by the battery manufacturer.
- The warranty does not apply to the product defects and failures arisen as a result of improper mounting (in contradiction herewith).
- When the proper mounting instructions are not met, water might get in and destroy the electronics.

Table of Contents

1 Overview	1
1.1 Introduction.....	1
1.2 Main Features.....	1
1.3 Typical Application.....	2
2 Appearance	3
2.1 Main Unit.....	3
2.2 Nametag Module.....	4
2.3 Keypad Module.....	5
2.4 Indicator Module.....	5
2.5 Card Reader Module.....	6
2.6 Blank Module.....	7
3 Terminal and Wiring	8
3.1 Terminal Description.....	8
3.1.1 Main Unit.....	8
3.1.2 Sub Module.....	9
3.2 Wiring Description.....	10
3.2.3 Door Lock Wiring.....	10
3.2.4 Door Magnetic Wiring.....	11
3.2.5 Exit Button Wiring.....	11
4 Installation	13
4.1 Configure Sub Module Address.....	13
4.2 One-Module Installation.....	14
4.2.1 Installation Accessory Description.....	14
4.2.2 One-Module Surface Mounting.....	15
4.2.3 One-Module Flush Mounting.....	17
4.3 Two-Module Installation.....	21
4.3.1 Installation Accessory Description.....	21
4.3.2 Two-Module Surface Mounting.....	21
4.3.3 Two-Module Flush Mounting.....	25
4.4 Three-Module Installation.....	29
4.4.1 Installation Accessory Description.....	29
4.4.2 Three-Module Surface Mounting.....	30
4.4.3 Three-Module Flush Mounting.....	34
4.5 More-than-Three Module Installation.....	40
4.5.1 Installation Accessory Description.....	40
4.5.2 More-than-Three Module Surface Mounting.....	40
4.5.3 More-than-Four Module Flush Mounting.....	46
5 Device Configuration	55
5.1 Activate Device.....	55

5.2 Edit Network Parameters.....	56
5.3 Add Device.....	57
5.4 Reset Password.....	59
5.5 Configure System Parameters.....	61
5.5.1 Device Information.....	61
5.5.2 General.....	61
5.5.3 Time.....	61
5.5.4 System Maintenance.....	62
5.5.5 User.....	64
5.6 Configure Video Intercom Parameters.....	65
5.6.1 Device ID Configuration.....	65
5.6.2 Time Parameters.....	66
5.6.3 Access Control and Elevator.....	66
5.6.4 IO Input and Output.....	68
5.6.5 Volume Input and Output.....	69
5.6.6 Dial.....	69
5.6.7 Sub Module.....	69
5.7 Configure Video Intercom Network.....	70
5.7.1 Local Network Configuration.....	70
5.7.2 Linked Devices Network Configuration.....	71
5.7.3 FTP.....	72
5.7.4 Advanced Settings.....	73
5.8 Video Display.....	73
5.8.1 Video Parameters.....	73
5.8.2 Video & Audio.....	74
6 Video Intercom Operation.....	76
6.1 Video Intercom Operation via Device.....	76
6.2 Video Intercom Operation via iVMS-4200.....	76
6.2.1 Receive Call from Door Station.....	76
6.2.2 View Live Video of Door Station.....	78
6.2.3 View Call Logs.....	78
6.2.4 Search Video Intercom Information.....	79

1 Overview

1.1 Introduction

The video intercom module door station can realize functions such as video intercom, resident-to-resident video call to provide a complete smart community video intercom solution.

The video intercom module door station is mainly applied to situations such as community, villa, and official buildings.

1.2 Main Features

- 2MP HD video intercom function
- Access control function
- Fisheye camera with IR supplement light
- Tampering alarm and door magnetic alarm supported
- Supports sub-modules' access (max.8)
- Noise suppression and echo cancellation
- Easy to extend

1.3 Typical Application

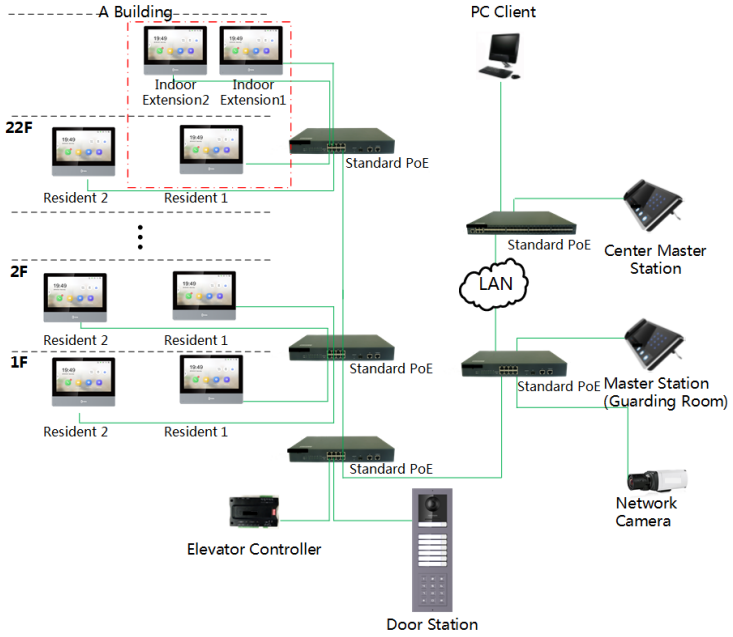


Figure 1-1 Typical Application

2 Appearance

2.1 Main Unit

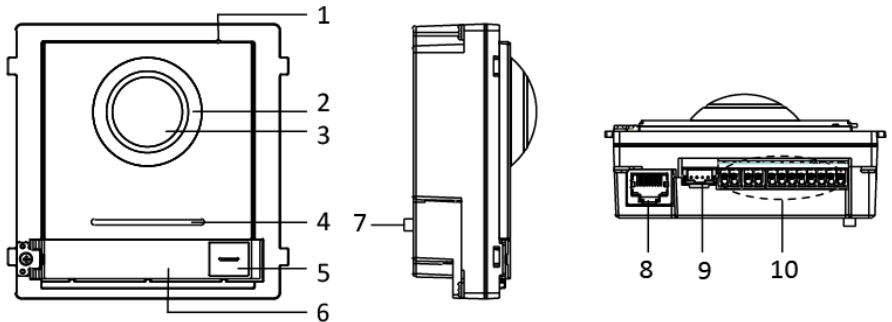


Figure 2-1 Main Unit Appearance

Table 2-1 Appearance Description

No.	Description
1	Microphone
2	Low Illumination IR Supplement Light
3	Built-in Camera
4	Loudspeaker
5	Call Button
6	Nametag
7	TAMPER
8	Network Interface
9	Module-connecting Interface(output)
10	Terminals

NOTE

Nametag area supports insert customized name card.

The suggested card size is: 58 (L) x 11.7(W) mm.

2.2 Nametag Module

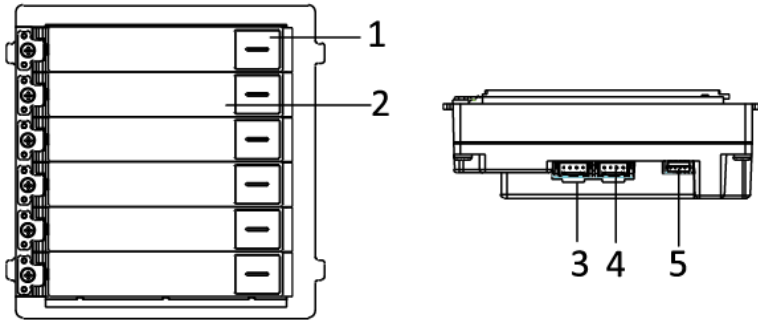


Figure 2-2 Nametag Module Appearance

Table 2-2 Appearance Description

No.	Description
1	Call Button
2	Nametag
3	Module-connecting Interface(output)
4	Module-connecting Interface(input)
5	Debug Port

NOTE

Nametag area supports insert customized name card.

The suggested card size is: 58 (L) x 11.7(W) mm.

2.3 Keypad Module

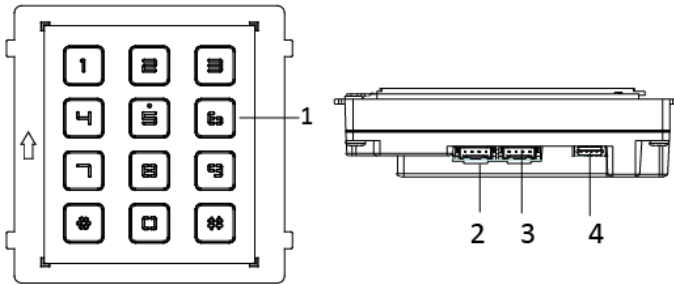


Figure 2-3 Keypad Module Appearance

Table 2-3 Appearance Description

No.	Description
1	Button
2	Module-connecting Interface(output)
3	Module-connecting Interface(input)
4	Debug Port

2.4 Indicator Module

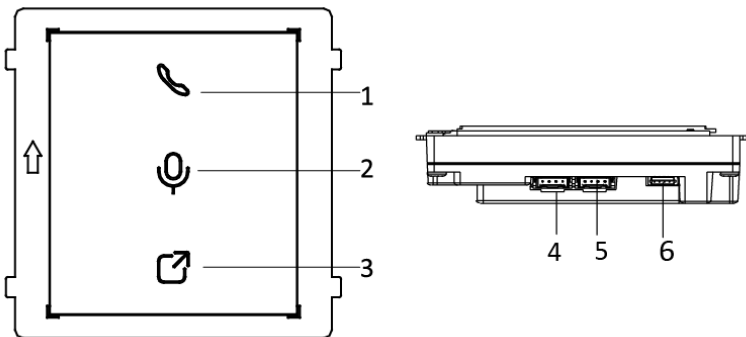


Figure 2-4 Keypad Module Appearance

Table 2-4 Appearance Description

No.	Description
1	Indicator1(Solid yellow during calling)
2	Indicator2(Solid white during two-way audio)
3	Indicator3(Solid blue when door is open)
4	Module-connecting Interface(output)
5	Module-connecting Interface(input)
6	Debug Port

2.5 Card Reader Module

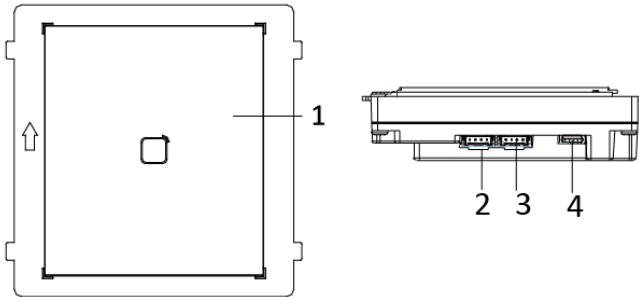


Figure 2-5 Card Reader Module Appearance

Table 2-5 Appearance Description

No.	Description
1	Card Reading Area
2	Module-connecting Interface(output)
3	Module-connecting Interface(input)
4	Debug Port

2.6 Blank Module

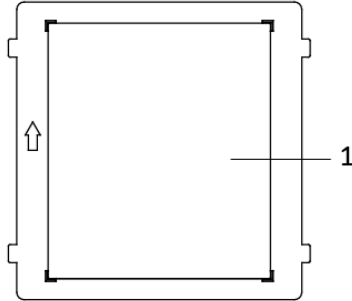


Figure 2-6 Blank Module Appearance

Table 2-6 Appearance Description

No.	Description
1	Supports to insert customized information card

3 Terminal and Wiring

3.1 Terminal Description

3.1.1 Main Unit

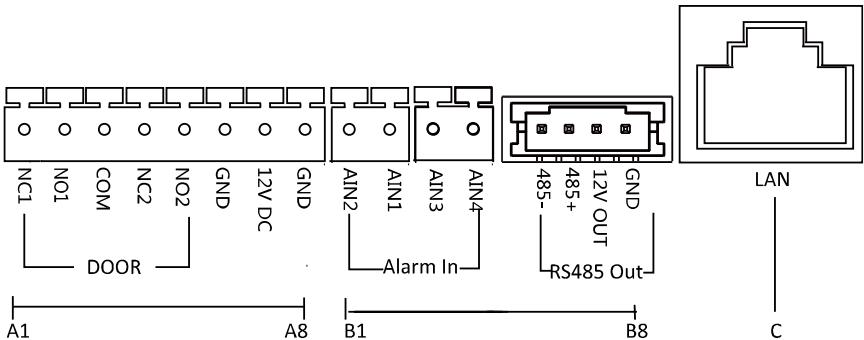


Figure 3-1 Terminals and Interfaces

Table 3-1 Descriptions of Terminals and Interfaces

No.	Interface	Description
A1	NC1	Door Lock Relay Output (NC)
A2	NO1	Door Lock Relay Output (NO)
A3	COM	Common Interface
A4	NC2	Door Lock Relay Output (NC)
A5	NO2	Door Lock Relay Output (NO)
A6	GND	Grounding
A7	12V DC	Power Supply Output
A8	GND	Grounding
B1	AIN2	For the access of Door Magnetic2
B2	AIN1	For the access of Door Magnetic1
B3	AIN3	For the access of Exit Button 1

No.	Interface	Description
B4	AIN4	For the access of Exit Button 2
B5	485-	Module-connecting Interface
B6	485+	
B7	12V OUT	
B8	GND	
C	LAN	PoE Network Interface(Supports IEEE 802.3af/at-Compliant Devices)

3.1.2 Sub Module

All the modules except the main work as the sub module. The sub module's interfaces and terminals as below:

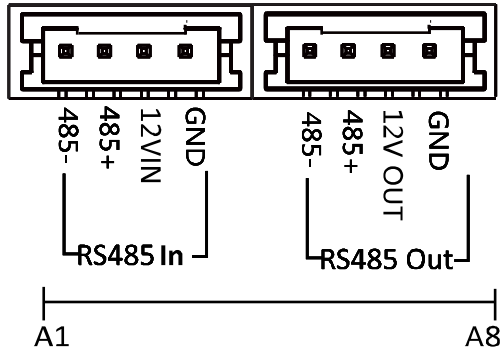


Figure 3-2 Terminals and Interfaces

Table 3-2 Descriptions of Terminals and Interfaces

No.	Interface	Description
A1	485-	Module-connecting Interface (Input)
A2	485+	
A3	12V IN	
A4	GND	
A5	485-	Module-connecting Interface (Output)
A6	485+	
A7	12V OUT	
A8	GND	

3.2 Wiring Description

3.2.3 Door Lock Wiring

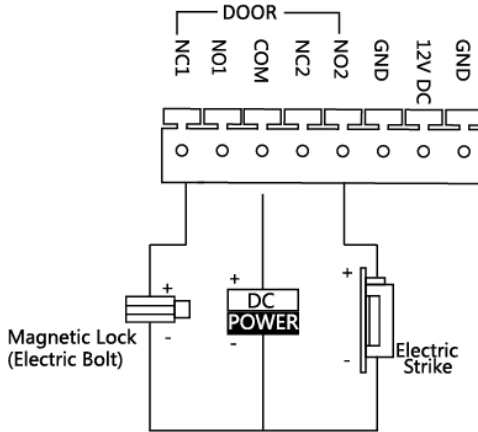


Figure 3-3 Door Lock Wiring



NOTE

- Terminal NC1/COM is set as default for accessing magnetic lock/electric bolt; terminal NO2/COM is set as default for accessing electric strike.
- Lock should be powered by itself. Max. voltage and current for relay is 30V and 1A.

3.2.4 Door Magnetic Wiring

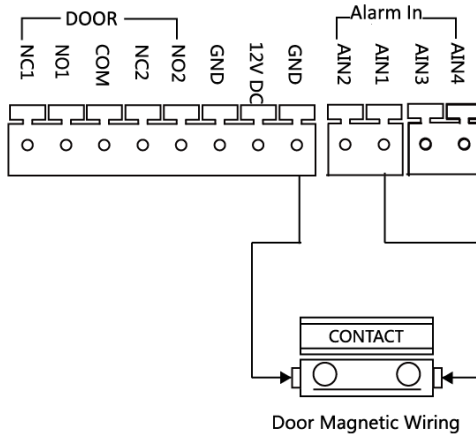


Figure 3-4 Door Magnetic Wiring

 **NOTE**

AIN1 and AIN2 are defaulted to connect door magnetic. Door magnetic connected to AIN1 detects status of the lock that connected to NC1/NO1; Door magnetic connected to AIN2 detects the status of the lock connected to NC2/NO2.

3.2.5 Exit Button Wiring

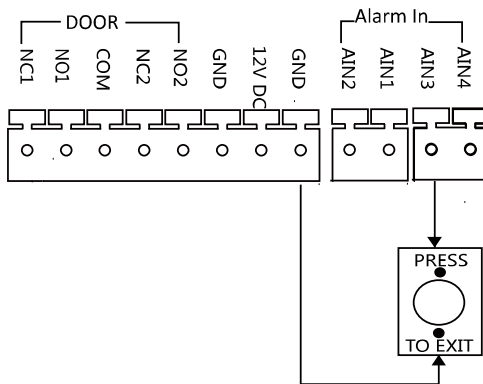


Figure 3-5 Exit Button Wiring



NOTE

AIN3 and AIN4 are set as default for connecting exit button. Exit button connected to AIN3 opens the lock connected to NC1/NO1; Exit button connected to AIN4 controls the lock that connected to NC2/NO2.

4 Installation

Before you start:

- Make sure the device in the package is in good condition and all the assembly parts are included.
- Set the sub module address before start the installation steps.
- Make sure the place for surface mounting is flat.
- Make sure all the related equipment is power-off during the installation.
- Tools that you need to prepare for installation:
 - Drill ($\varnothing 6$), cross screwdriver (PH1*150 mm), and gradienter.
- Buy corresponding accessory package for installation. The accessory package model and its suitable installation method as below:

Package Model	Mounting Method	Note
DS-KD-ACW1	One-Module Surface Mounting	Install the device according to the instructions.
DS-KD-ACW2	Two-Module Surface Mounting	
DS-KD-ACW3	Three-Module Surface Mounting	
DS-KD-ACF1	One-Module Flush Mounting	Not all the lines in the accessory package will be used.
DS-KD-ACF2	Two-Module Flush Mounting	
DS-KD-ACF3	Three-Module Flush Mounting	

4.1 Configure Sub Module Address

You need to set the sub module address via DIP before installation.

Steps:

1. Remove the rubber cover on the sub module rear panel to expose the DIP switch.

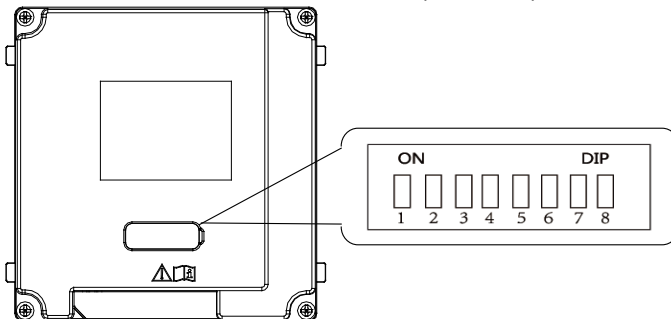


Figure 4-1 DIP Switch

- Set the sub module address according to the DIP rules, and install the rubber cover back.

 **NOTE**

- Digit 1, 2, 3, 4 are used to coding the sub module address; Digit 5, 6, 7, 8 are reserved.
- Valid sub module address range is 1 to 8. The No. should be unique for sub modules that connected to the same main unit.

The sub module address and corresponding switch status as below.

Sub Module Address	1	2	3	4	5	6	7	8
Digit 1	ON	OFF	ON	OFF	ON	OFF	ON	OFF
Digit 2	OFF	ON	ON	OFF	OFF	ON	ON	OFF
Digit 3	OFF	OFF	OFF	ON	ON	ON	ON	OFF
Digit 4	OFF	OFF	OFF	OFF	OFF	OFF	OFF	ON

4.2 One-Module Installation

4.2.1 Installation Accessory Description

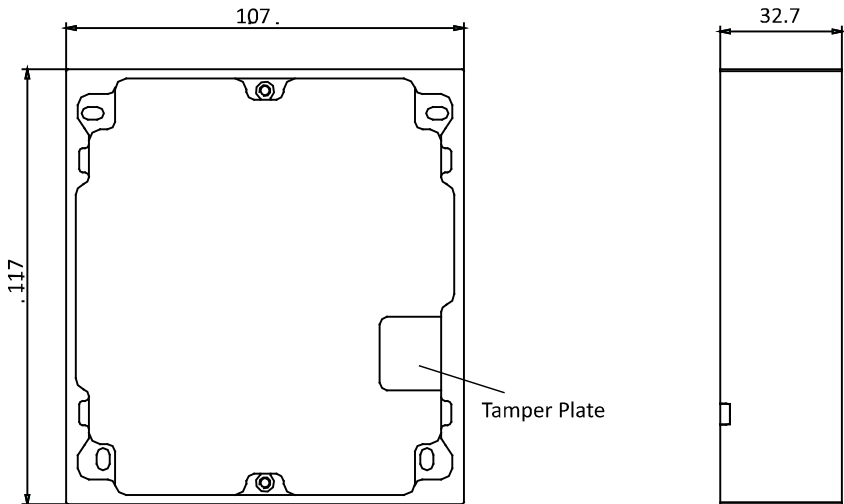


Figure 4-2 Front and Side View

 **NOTE**

- The dimension of one module mounting frame is: 117(L)×107(W)×32.7(D) mm.
- The dimensions above are for reference only. The actual size can be slightly different from the theoretical dimension.

4.2.2 One-Module Surface Mounting

Steps:

1. Paste the installation Sticker 1 onto the wall. Make sure the sticker is placed leveled via measuring with the gradienter.
2. Chisel 4 holes with drill align to the screw holes on the sticker.
The suggested size of hole is 6 (diameter) × 25 (depth) mm.
The suggested length of cables left outside is 100 mm.

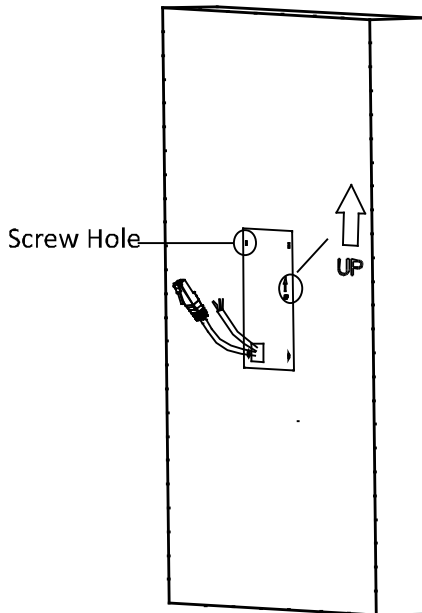


Figure 4-3 Chisel Screw Hole

3. Remove the sticker and insert the expansion sleeves into the screw holes.
4. Fix the mounting frame onto the wall with 4 expansion bolts.

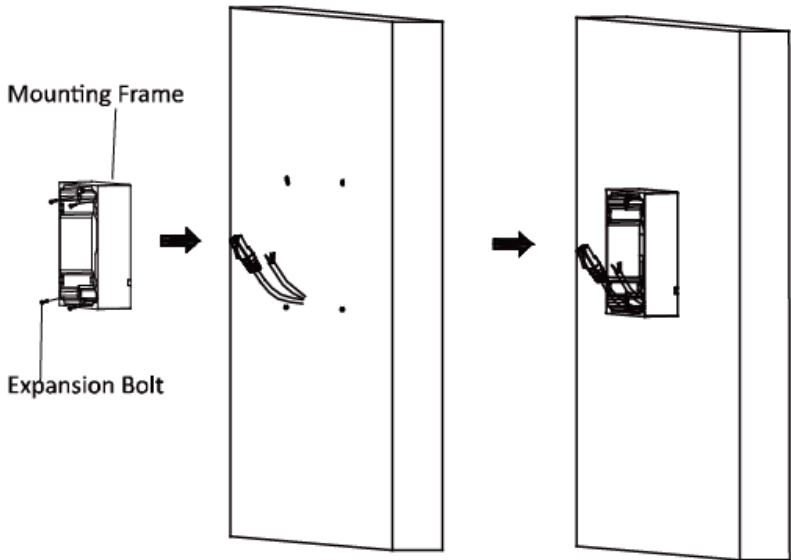
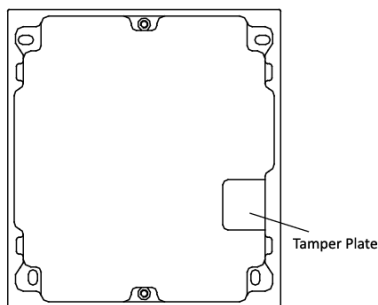


Figure 4-4 Fix the Mounting Frame

 **NOTE**

The mounting frame should be placed exactly as below for this step. The tamper plate should be at the low-right.



5. Connect the cables to the corresponding interfaces of the main unit and insert it into the frame.

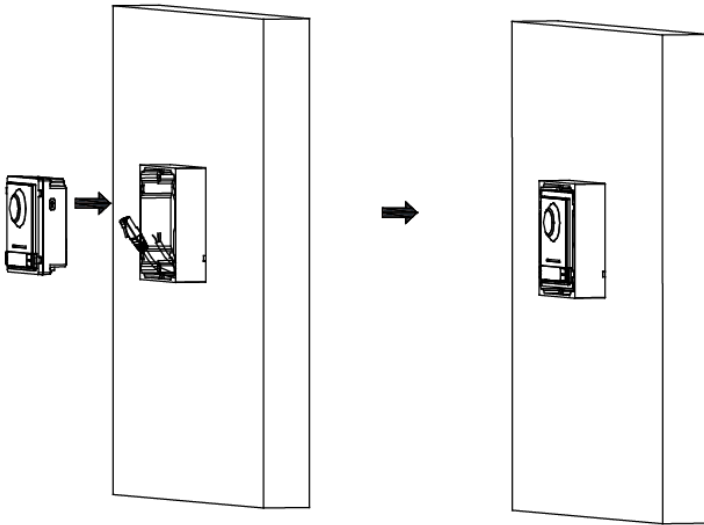


Figure 4-5 Insert the Main unit

6. Use the hexagon wrench in the package fix the cover onto the frame.

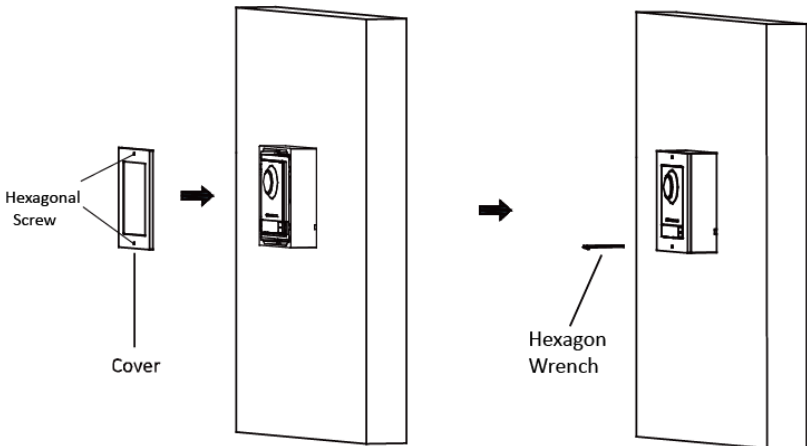


Figure 4-6 Fix the Cover

4.2.3 One-Module Flush Mounting

Steps:

1. Paste the installation Sticker A onto the wall. Make sure the sticker is placed leveled via measuring with the gradienter.
2. Cave the installation hole along the solid line on Sticker A.
The suggested dimension of installation hole is 121(L)×111(W)×33(D) mm.

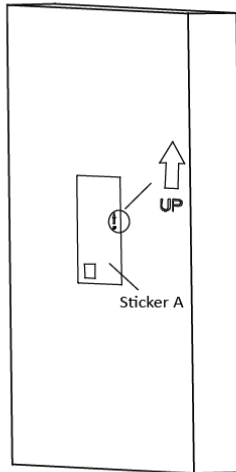


Figure 4-7 Cave the Installation Hole

3. Pull out the cables, place Sticker 1 into the hole, chisel 4 screw holes accordingly.
The suggested size of screw hole is 6 (diameter) × 25 (depth) mm.
The suggested length of cables left outside is 100 mm.
4. Remove the sticker and insert the expansion sleeves into the screw holes.
5. Fix the locating plates to the frame with screws.

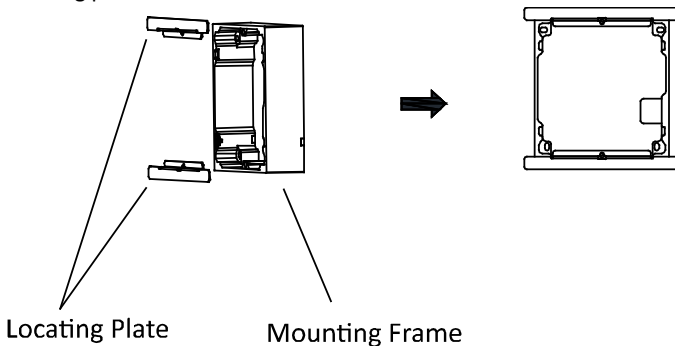


Figure 4-8 Install Locating Plate

6. Insert the mounting frame together with the locating plates into the hole, and fix it with 4 expansion bolts.

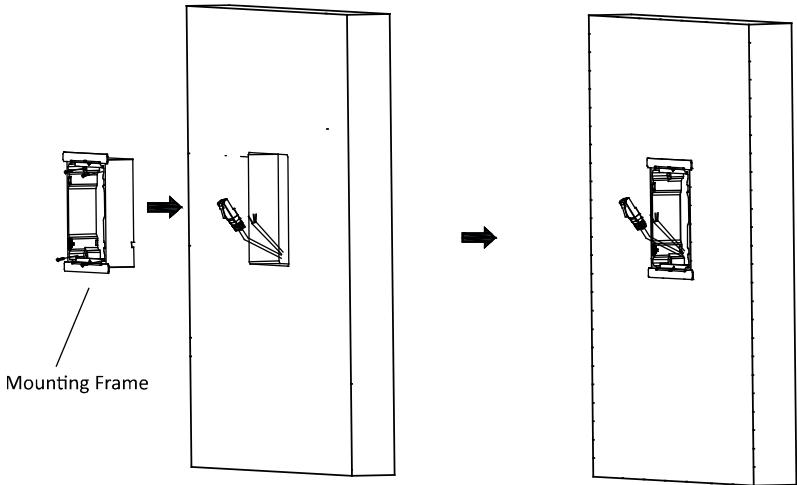
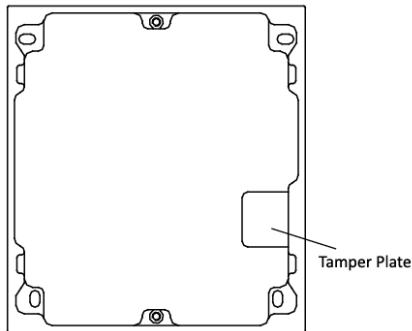


Figure 4-9 Install Mounting Frame

 **NOTE**

The mounting frame should be placed exactly as below for this step. The tamper plate should be at the low-right.



7. Fill and level up the gap between the frame and wall with concrete. Remove the locating plates after concrete is dry.
8. Connect the cables to the corresponding interfaces of the main unit and insert it into the frame.

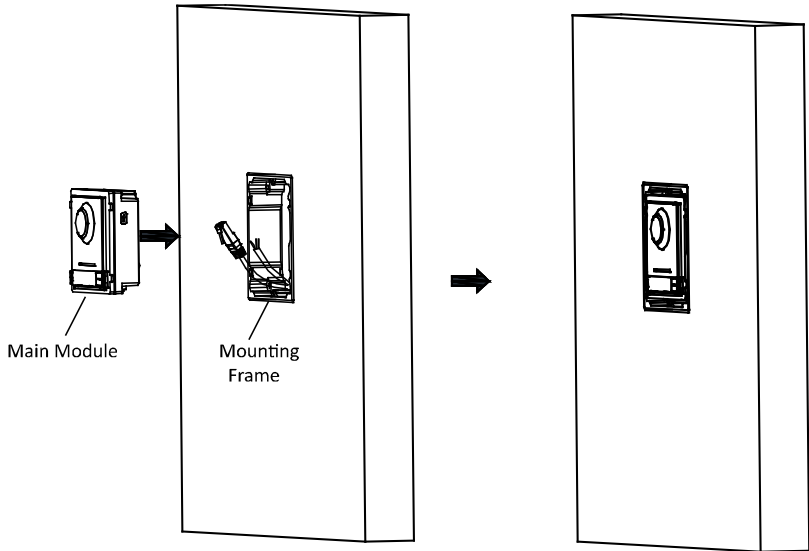


Figure 4-10 Insert the Main unit

9. Use the hexagon wrench in the package fix the cover onto the frame.

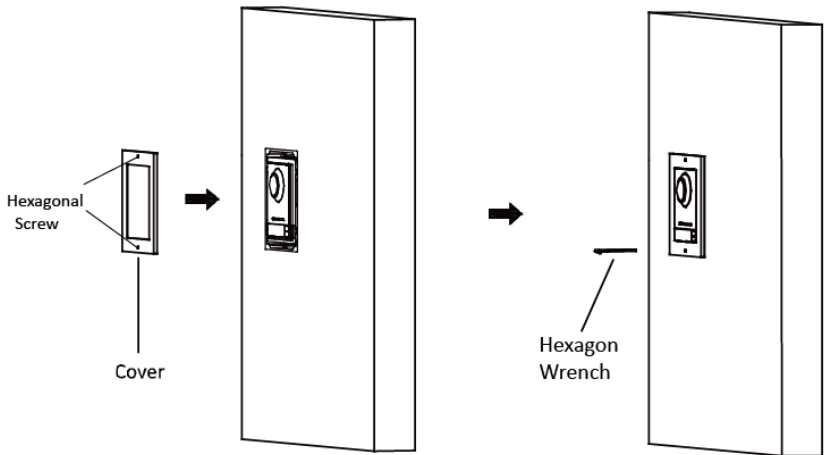


Figure 4-11 Fix the Cover

4.3 Two-Module Installation

4.3.1 Installation Accessory Description

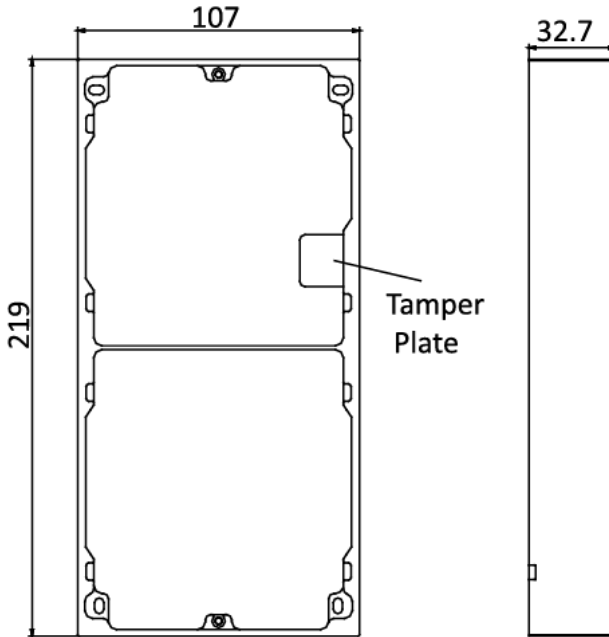


Figure 4-12 Front and Side View



NOTE

- The dimension of two-module mounting frame is: 219(L)×107 (W)×32.7(D) mm.
- The dimensions above are for reference only. The actual size can be slightly different from the theoretical dimension.

4.3.2 Two-Module Surface Mounting

Steps:

1. Paste the installation Sticker 1 onto the wall. Make sure the sticker is placed leveled via measuring with the gradienter.
2. Chisel 4 holes with drill align to the screw holes on the sticker.
The suggested size of hole is 6 (diameter) × 25 (depth) mm.
The suggested length of cables left outside is 270 mm.

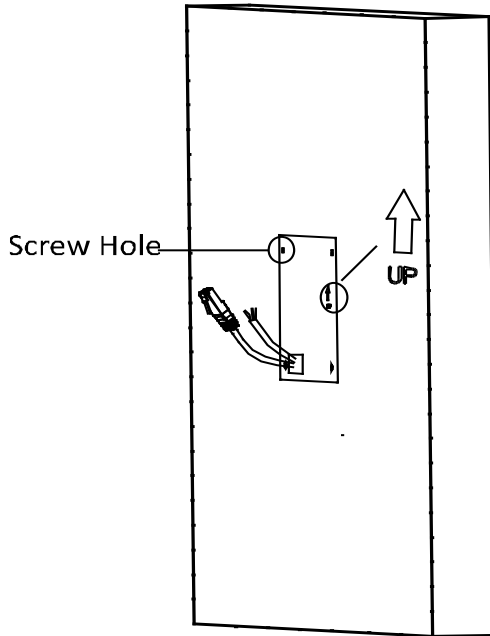


Figure 4-13 Chisel Screw Hole

3. Remove the sticker and insert the expansion sleeves into the screw holes.
4. Fix the mounting frame onto the wall with 4 expansion bolts.

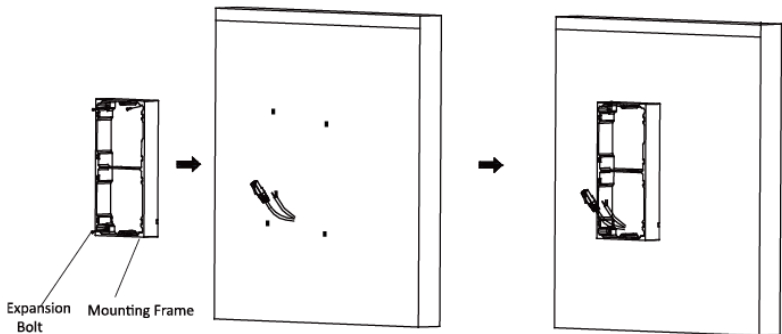
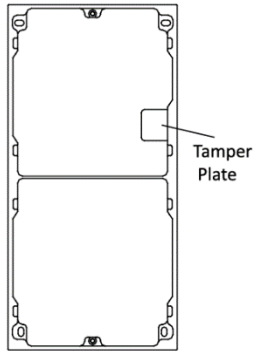


Figure 4-14 Fix the Mounting Frame

The mounting frame should be placed exactly as below for this step. The tamper plate should be at the low right of the first grid.



5. Thread the module-connecting line across the thread hole of the frame.
Pass the main unit connecting lines across the thread hole to the upper grid.

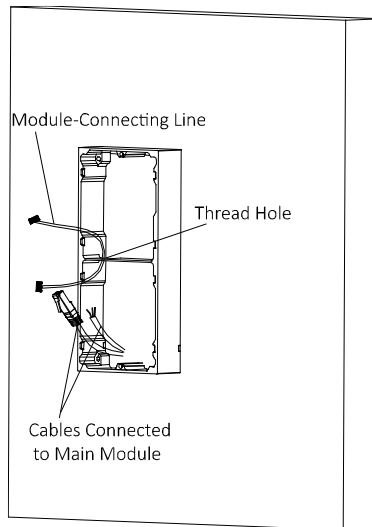


Figure 4-15 Placement of Lines

6. Connect the cables and module-connecting line to the corresponding interfaces of the main unit, then place the main unit into the upper grid.

Connect the other end of the module-connecting line to the input interface of the sub module.

Organize the line with cable tie in the package. The suggested line connection picture as below.

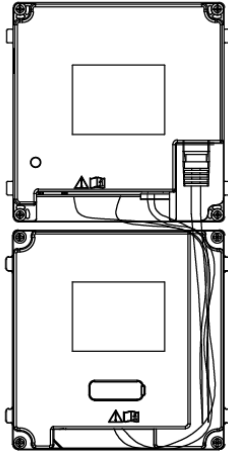


Figure 4-16 Line Connection Effect Picture

7. Insert the modules in to the frame after wiring. Main unit must be placed in the top grid.

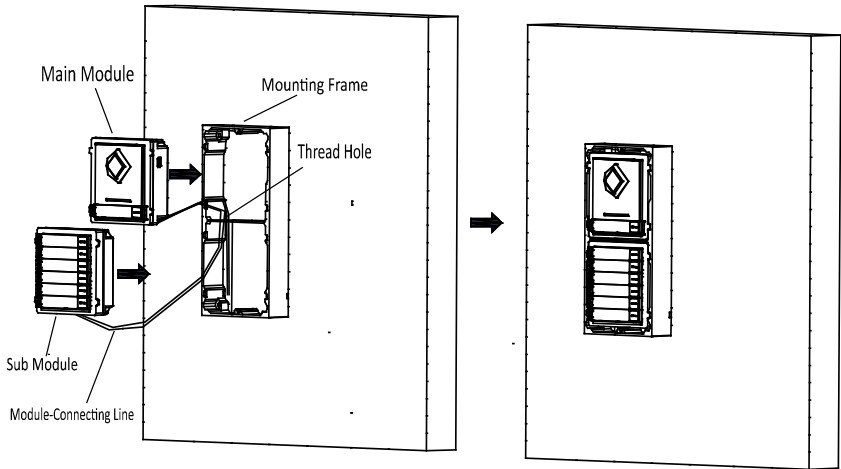


Figure 4-17 Insert the Modules

8. Use the hexagon wrench in the package fix the cover onto the frame.

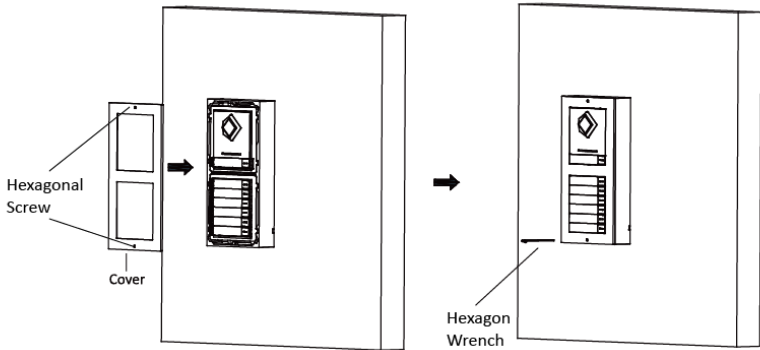


Figure 4-18 Fix the Cover

4.3.3 Two-Module Flush Mounting

Steps:

1. Paste the installation Sticker A onto the wall. Make sure the sticker is placed leveled via measuring with the gradienter.
2. Cave the installation hole along the solid line on Sticker A.
The suggested dimension of installation hole is 223(L)×111(W)×33(D) mm.

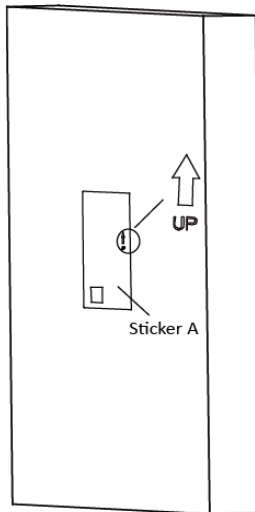


Figure 4-19 Cave the Installation Hole

3. Pull out the cables, place the installation Sticker 1 into the hole, chisel 4 screw holes accordingly.

The suggested size of screw hole is 6 (diameter) × 25 (depth) mm.

The suggested length of cables left outside is 270 mm.

4. Remove the sticker and insert the expansion sleeves into the screw holes.
5. Fix the locating plates to the frame with screws.

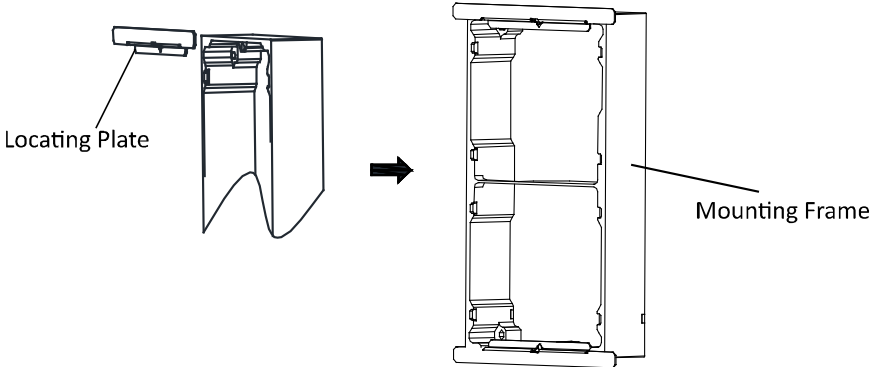


Figure 4-20 Install Locating Plate

6. Insert the mounting frame together with the locating plates into the hole, and fix it with 4 expansion bolts.

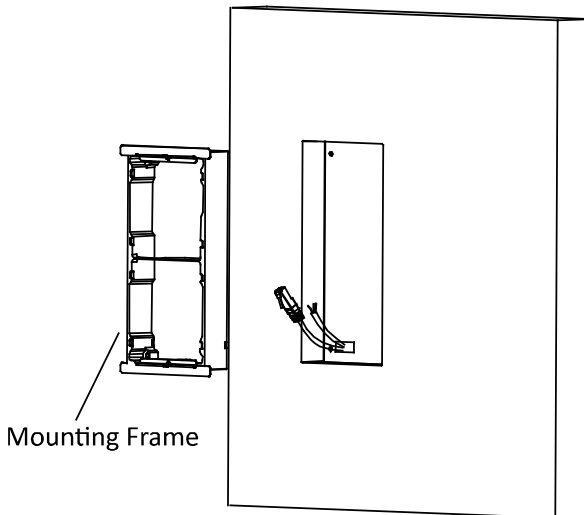
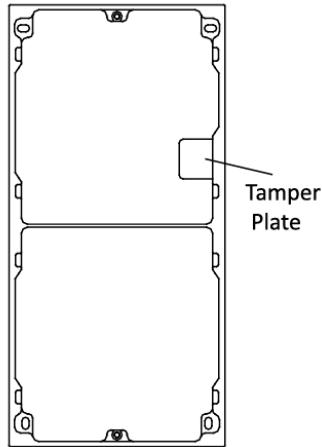


Figure 4-21 Install Mounting Frame



The mounting frame should be placed exactly as below for this step. The tamper plate should be at the low right of the first grid.



7. Fill and level up the gap between the frame and wall with concrete. Remove the locating plates after the concrete is dry.
8. Thread the module-connecting line across the thread hole of the frame. Pass the main unit connecting lines across the thread hole to the upper grid.

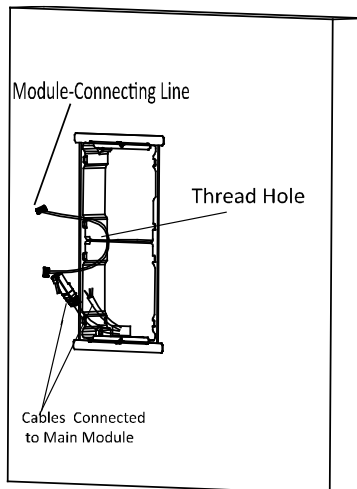


Figure 4-22 Placement of Lines

9. Connect the cables and module-connecting line to the corresponding interfaces of the main unit, then place the main unit into the upper grid. Connect the other end of the module-connecting line to the input interface of the sub module.

Organize the line with cable tie in the package. The suggested line connection picture as below.

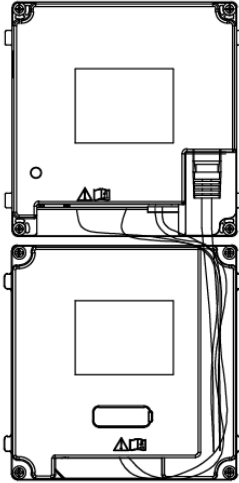


Figure 4-23 Line Connection Effect Picture

10. Insert the modules in to the frame after wiring. Main unit must be placed in the top grid.

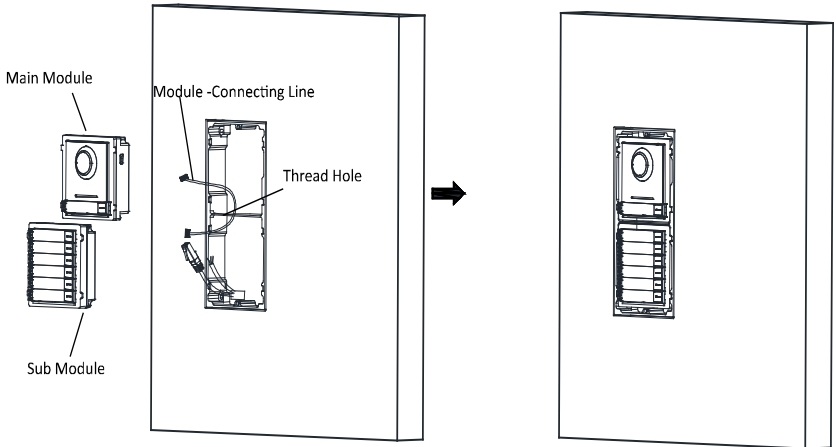


Figure 4-24 Insert the Modules

11. Use the hexagon wrench in the package fix the cover onto the frame.

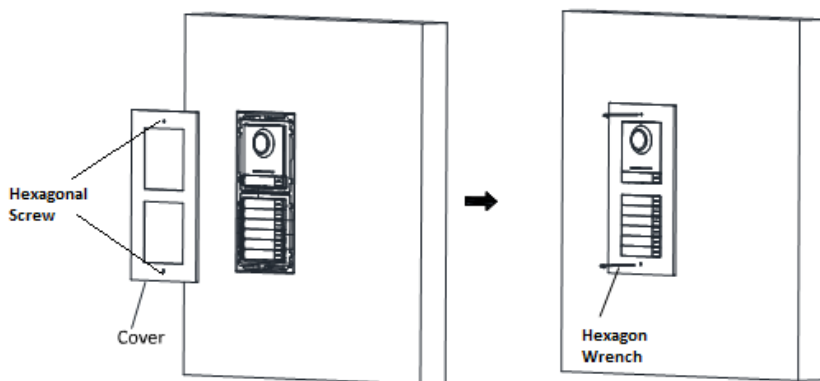


Figure 4-25 Fix the Cover

4.4 Three-Module Installation

4.4.1 Installation Accessory Description

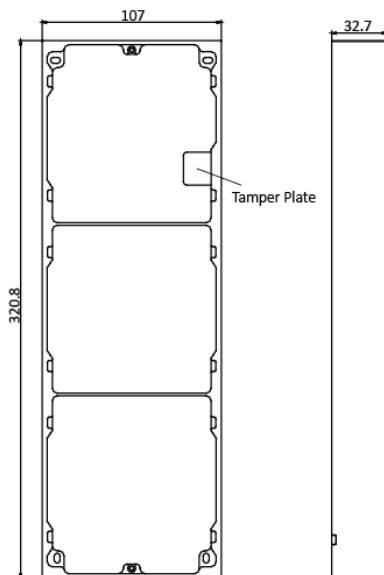


Figure 4-26 Front and Side View

 **NOTE**

- The dimension of two-module mounting frame is: 320.8(L)×107 (W)×32.7(D) mm.
- The dimensions above are for reference only. The actual size can be slightly different from the theoretical dimension.

4.4.2 Three-Module Surface Mounting

Steps:

1. Paste the installation Sticker 1 onto the wall. Make sure the sticker is placed leveled via measuring with the gradienter.
2. Chisel 4 holes with drill align to the screw holes on the sticker.
The suggested size of hole is 6 (diameter) × 25 (depth) mm.
The suggested length of cables left outside is 270 mm.

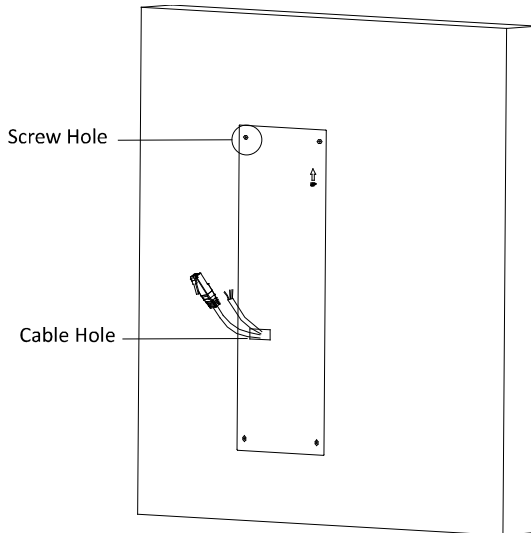


Figure 4-27 Chisel Screw Hole

3. Remove the sticker and insert the expansion sleeves into the screw holes.
4. Fix the mounting frame onto the wall with 4 expansion bolts.

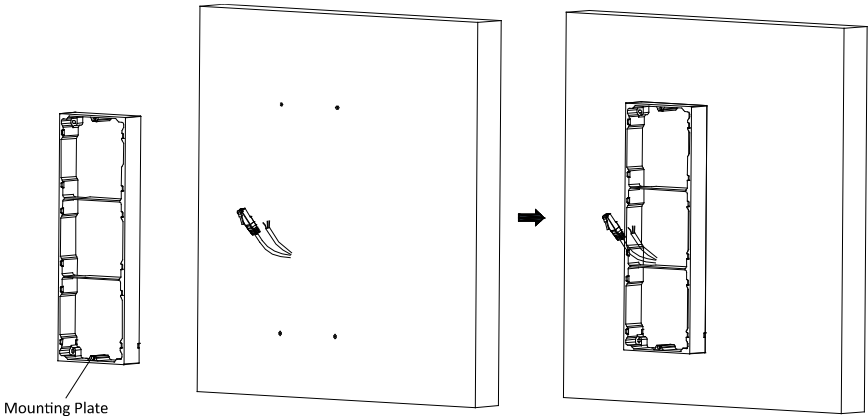
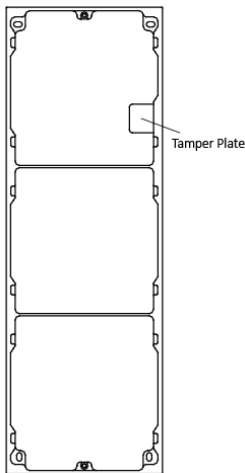


Figure 4-28 Fix the Mounting Frame

 **NOTE**

The mounting frame should be placed exactly as below for this step. The tamper plate should be at the low right of the first grid.



5. Thread the module-connecting lines across the thread holes of the frame.
Pass the main unit connecting lines across the thread hole to the top grid.

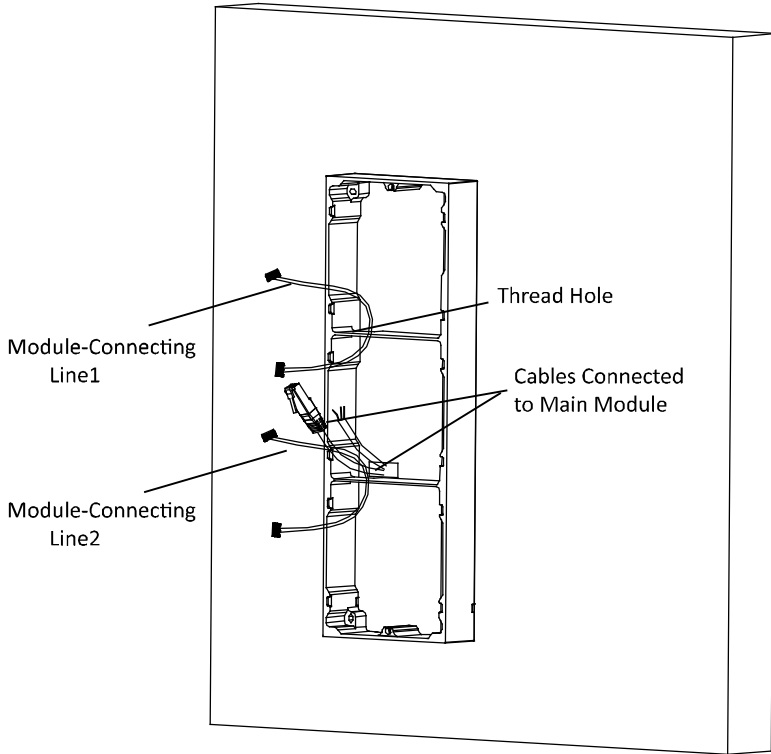


Figure 4-29 Placement of Lines

6. Connect the cables and module-connecting line 1 to the corresponding interfaces of the main unit, then place the main unit into the upper grid.
Connect the other end of the module-connecting line1 to the input interface of the sub module. Connect two sub modules via module-connecting line 2.
Organize the line with cable tie in the package. The suggested line connection picture as below.

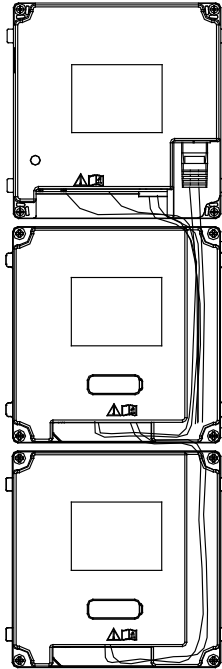


Figure 4-30 Line Connection Effect Picture

7. Insert the modules in to the frame after wiring. Main unit must be placed in the top grid.

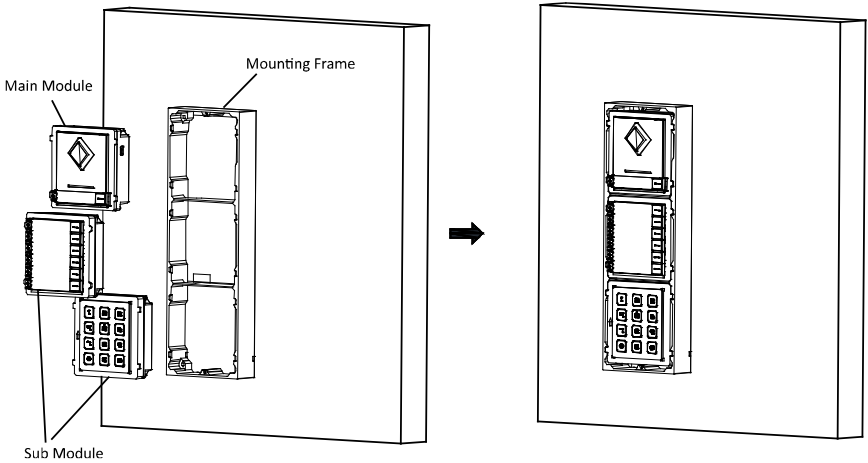


Figure 4-31 Insert the Modules

8. Use the hexagon wrench in the package fix the cover onto the frame.

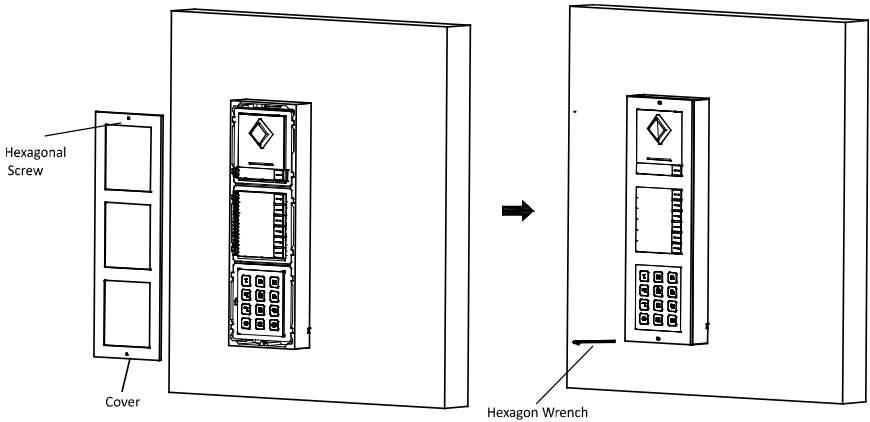


Figure 4-32 Fix the Cover

4.4.3 Three-Module Flush Mounting

Steps:

1. Paste the installation Sticker A onto the wall. Make sure the sticker is placed leveled via measuring with the gradienter.
2. Cave the installation hole along the solid line on Sticker A.
The suggested dimension of installation hole is 323(L)×111(W)×33(D) mm.

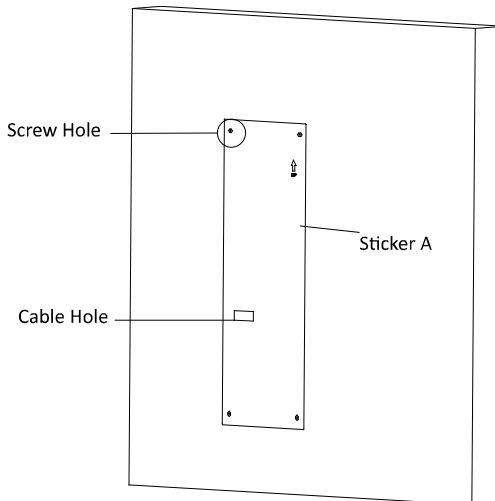


Figure 4-33 Cave the Installation Hole

3. Pull out the cables, place the installation Sticker 1 into the hole, chisel 4 screw holes accordingly.
The suggested size of screw hole is 6 (diameter) × 25 (depth) mm.
The suggested length of cables left outside is 270 mm.
4. Remove the sticker and insert the expansion sleeves into the screw holes.
5. Fix the locating plates to the frame with screws.

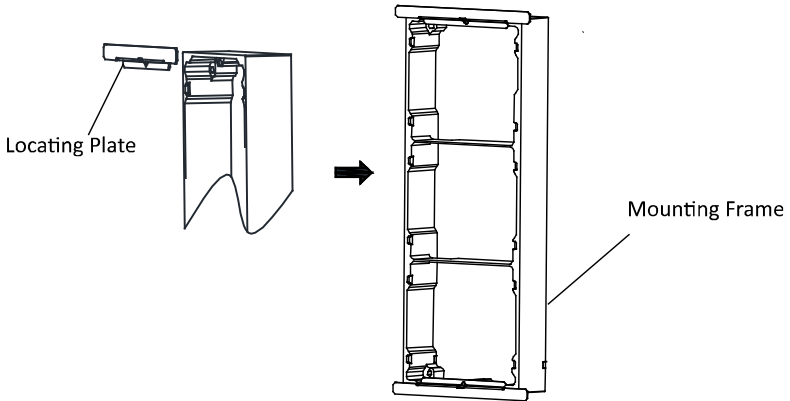


Figure 4-34 Install Locating Plate

6. Insert the mounting frame together with the locating plates into the hole, and fix it with 4 expansion bolts.

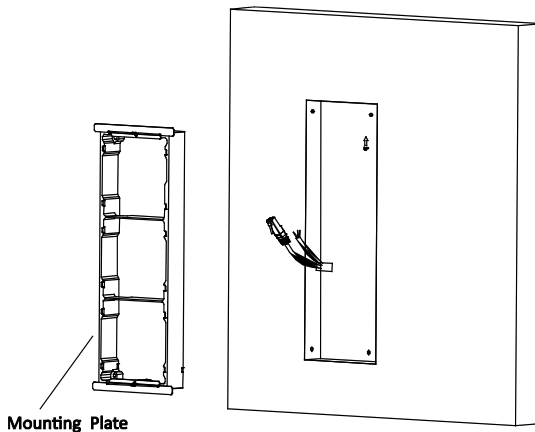
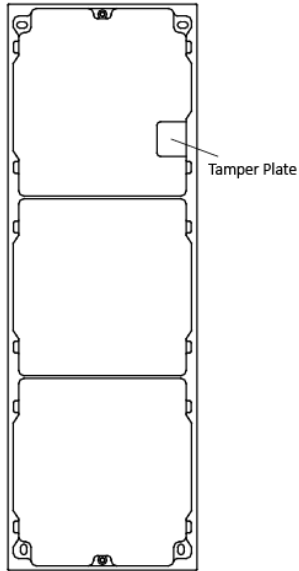


Figure 4-35 Install Mounting Frame

 **NOTE**

The mounting frame should be placed exactly as below for this step. The tamper plate should be at the low right of the first grid.



7. Fill and level up the gap between the frame and wall with concrete. Remove the locating plates after the concrete is dry.
8. Thread the module-connecting lines across the thread holes of the frame.
Pass the main unit connecting lines across the thread hole to the upper grid.

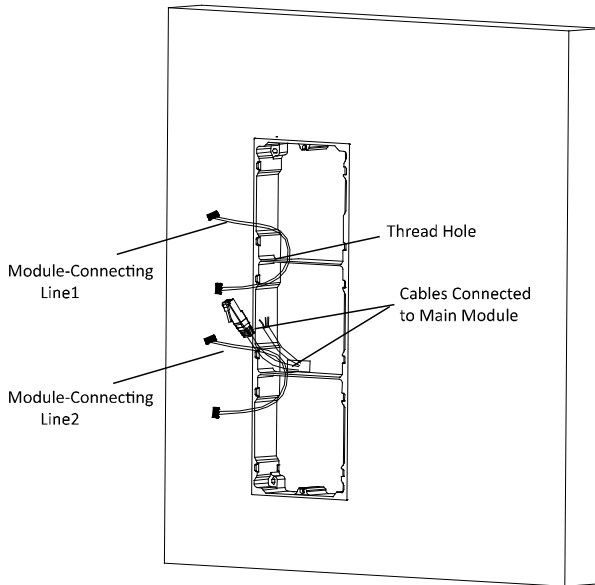


Figure 4-36 Placement of Lines

9. Connect the cables and module-connecting line 1 to the corresponding interfaces of the main unit, then place the main unit into the upper grid.

Connect the other end of the module-connecting line1 to the input interface of the sub module. Connect two sub modules via module-connecting line 2.

Organize the line with cable tie in the package. The suggested line connection picture as below.

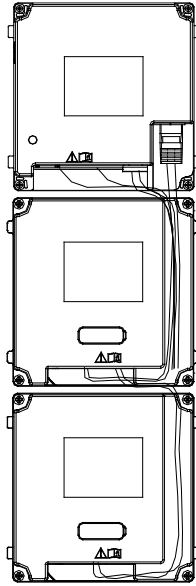


Figure 4-37 Line Connection Effect Picture

10. Insert the modules in to the frame after wiring. Main unit must be placed in the top grid.

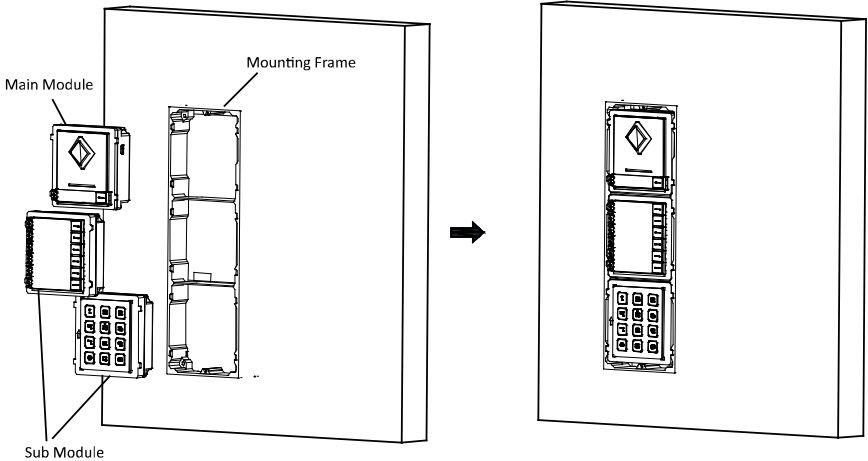


Figure 4-38 Insert the Modules

11. Use the hexagon wrench in the package fix the cover onto the frame.

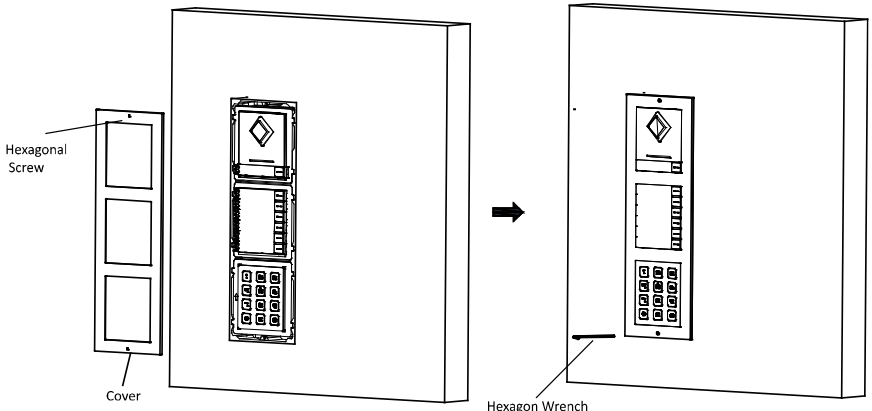


Figure 4-39 Fix the Cover

4.5 More-than-Three Module Installation

4.5.1 Installation Accessory Description

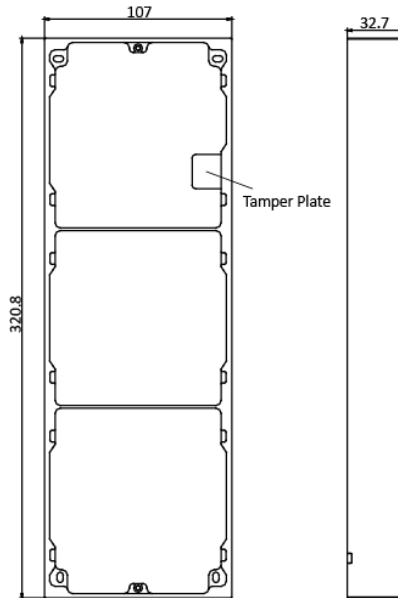


Figure 4-40 Front and Side View



NOTE

- It takes two three-module mounting frames. The dimension of three-module mounting frame is: 320.8(L)×107 (W)×32.7(D) mm.
- The dimensions above are for reference only. The actual size can be slightly different from the theoretical dimension.

4.5.2 More-than-Three Module Surface Mounting

Steps:

1. Paste two Sticker 1 onto the wall. Make sure the stickers are placed leveled via measuring with the gradienter.
2. Chisel 8 holes with drill align to the screw holes on the sticker.
The suggested size of hole is 6 (diameter) × 25 (depth) mm.

The suggested length of cables left outside is 270 mm.

3. Pull out the cable through the cable hole of the left sticker.

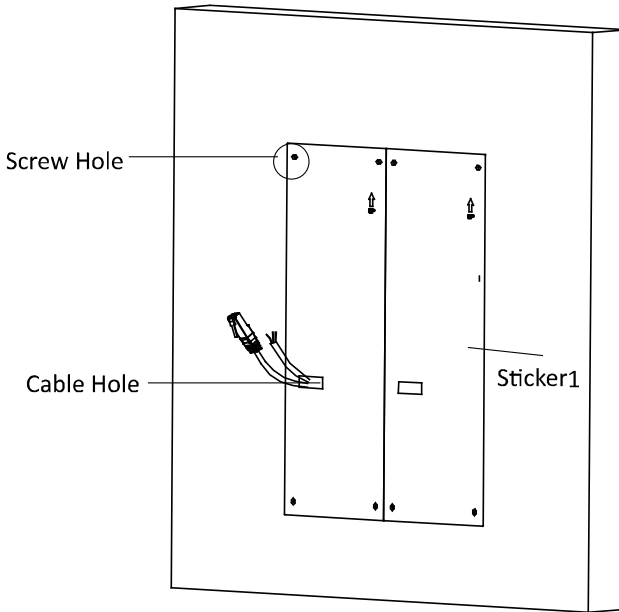


Figure 4-41 Chisel Screw Hole

4. Remove the stickers and insert the expansion sleeves into the screw holes.
5. Thread the module-connecting line (400 mm) and grounding line across the thread hole of both frames.

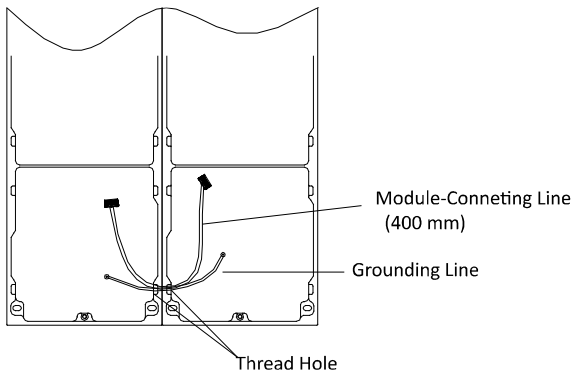


Figure 4-42 Place the Grounding Line and Module-Connecting Line



- There are 6 module-connecting lines in the package: 190 mm *4 and 400 mm*2.
Take the 400 mm one for this step.
 - The green-yellow line in the package is for grounding.
6. Fix the mounting frame onto the wall with 8 expansion bolts.

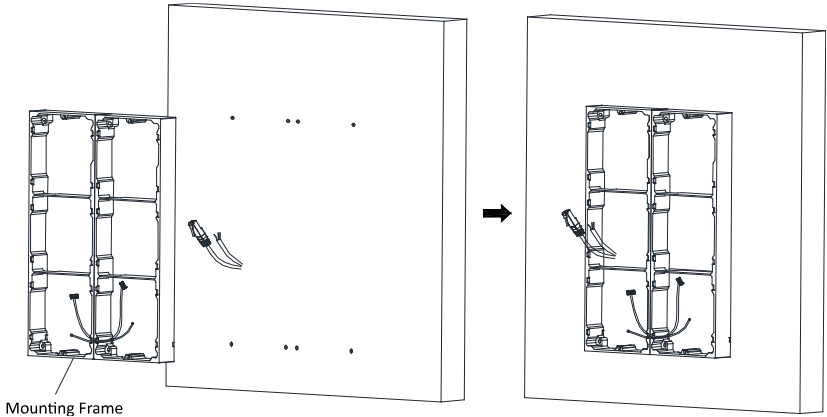
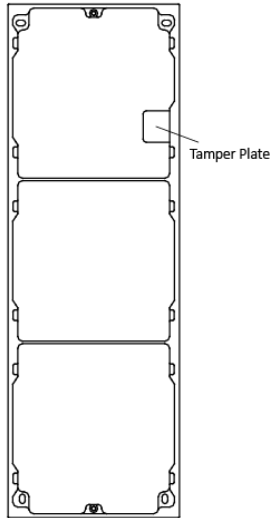


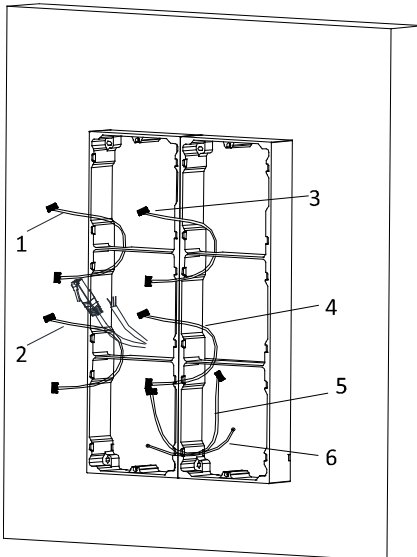
Figure 4-43 Fix the Mounting Frame

 **NOTE**

The mounting frame should be placed exactly as below for this step. The tamper plate should be at the low right of the first grid.



7. Pass the main unit connecting lines across the thread hole to the top grid of the left frame.
Thread the module-connecting line (190 mm) across the thread hole of the frame.
The lines should be placed as below:



- 1,2,3,4: module-connecting
line(190mm)
5: module-connecting
line(400mm)
6: grounding line(green-yellow)

Figure 4-44 Placement of Lines

8. Connect the cables and module-connecting line 1 to the corresponding interfaces of the main unit, then place the main unit into the upper grid. Connect the other end of the module-connecting line 1 to the input interface of the sub module. Connect all sub modules via module-connecting lines. Organize the line with cable tie in the package. The suggested line connection picture as below.

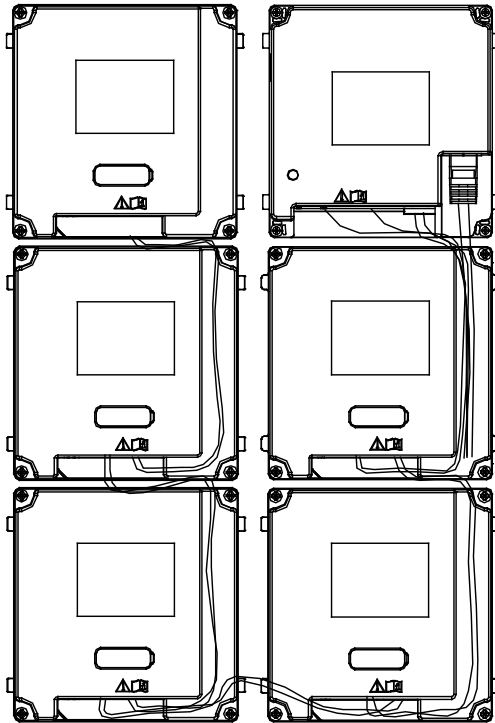


Figure 4-45 Line Connection Effect Picture

9. Insert the modules in to the frame after wiring. Main unit must be placed in the top grid on the left.

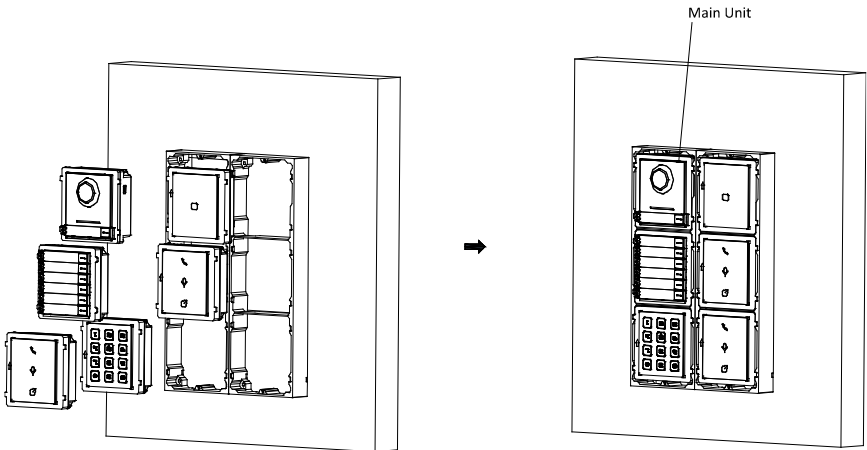


Figure 4-46 Insert the Modules

10. Pull the grounding line out and fixed its two end to the screw on the cover.

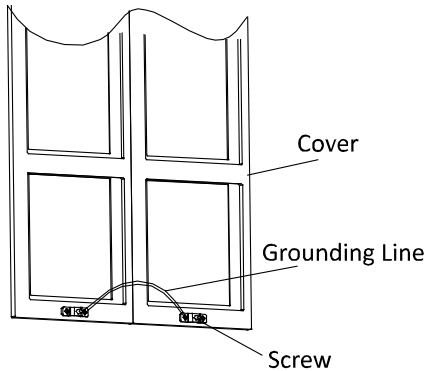


Figure 4-47 Connect the Grounding Line to the Cover

11. Use the hexagon wrench in the package fix the cover onto the frame.

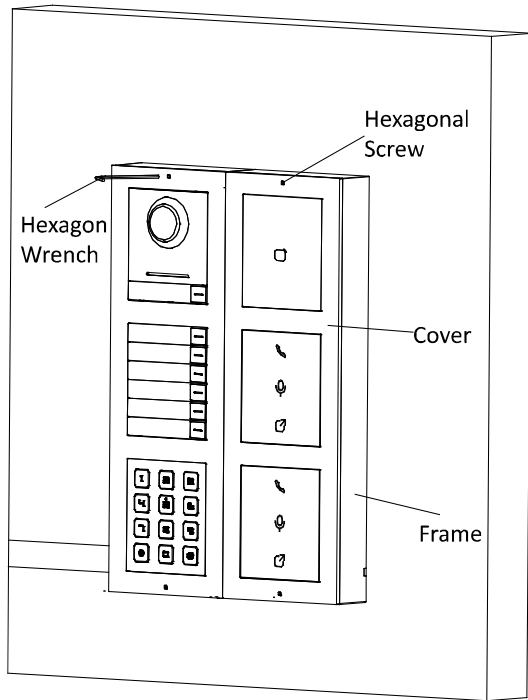


Figure 4-48 Fix the Cover

4.5.3 More-than-Four Module Flush Mounting

Steps:

1. Paste two installation Sticker A onto the wall, align them along the solid line.
Make sure the stickers are placed leveled via measuring with the gradienter.
2. Cave one installation hole along the solid line on the sticker.
The suggested dimension of installation hole is 325(L)×235(W)×33(D) mm..

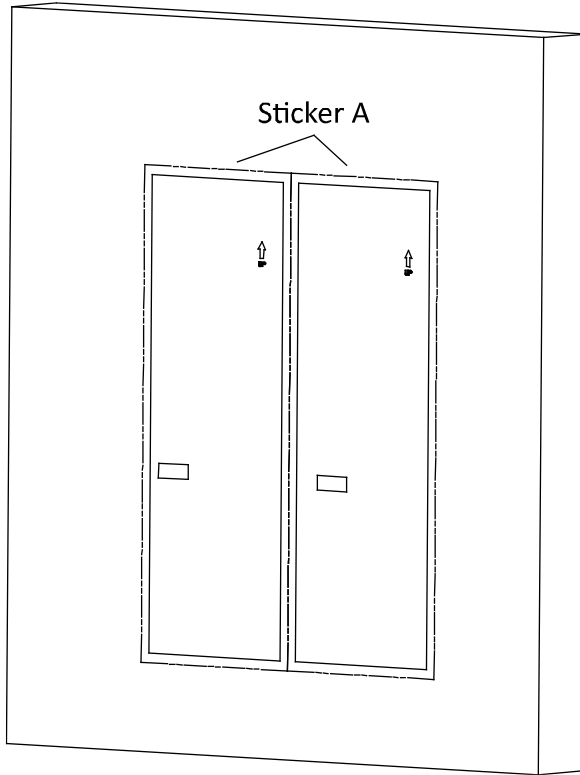


Figure 4-49 Cave the Installation Hole

3. Paste two Sticker 1 inside the installation hole. The gap between two stickers should be 17 mm. Chisel screw holes according to the stickers.
The suggested size of hole is 6 (diameter) × 25 (depth) mm.

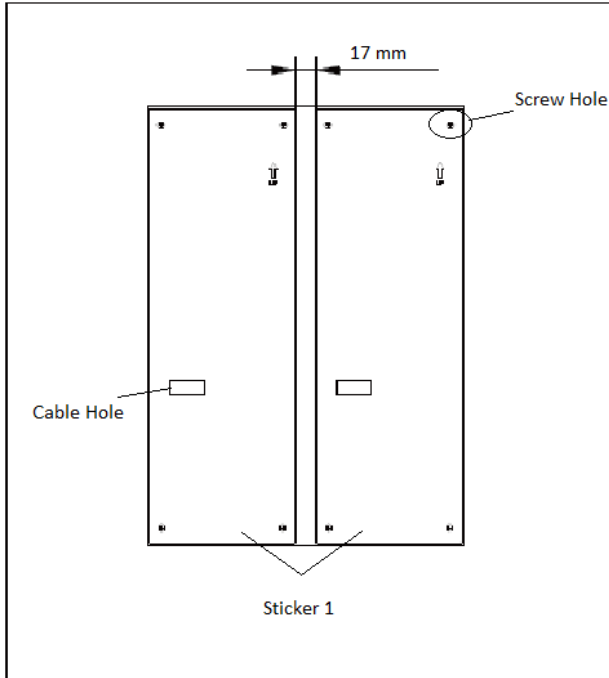


Figure 4-50 Chisel Screw Hole

4. Pull out the cable through the cable hole of the left sticker.
The suggested length of cables left outside is 270 mm.
5. Remove the stickers and insert the expansion sleeves into the screw holes.
6. Fix the locating plates to both frames with screws.

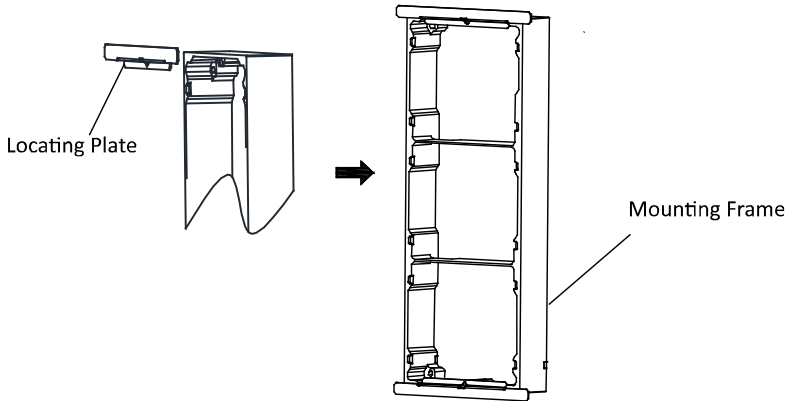


Figure 4-51 Install Locating Plate

7. Thread the module-connecting line (400 mm) and grounding line across the thread hole of both frames.

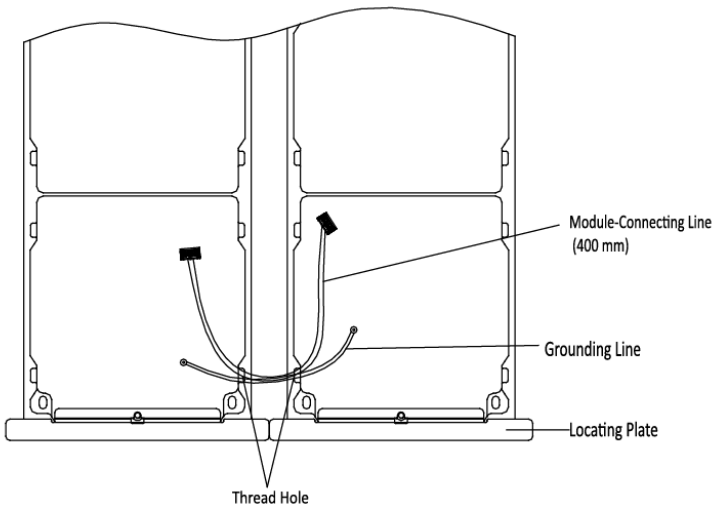


Figure 4-52 Place the Grounding Line and Module-Connecting Line



NOTE

- There are 6 module-connecting lines in the package: 190 mm *4 and 400 mm*2. Take the 400 mm one for this step.
 - The green-yellow line in the package is for grounding.
8. Insert the mounting frame together with the locating plates into the hole, and fix it with 8 expansion bolts.

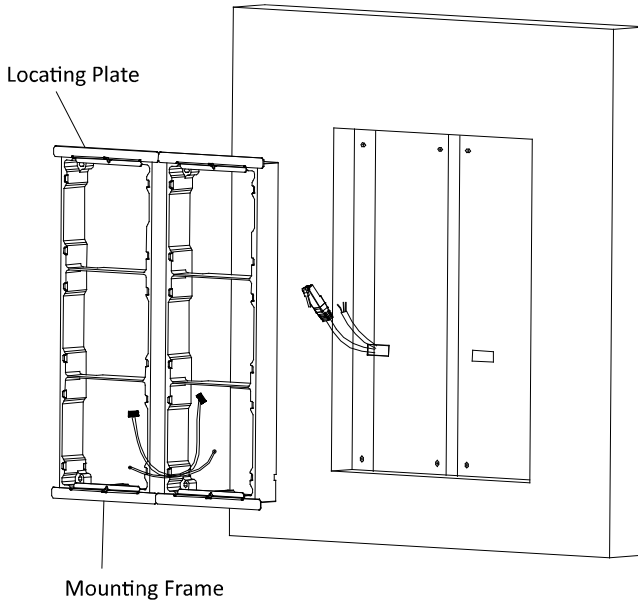
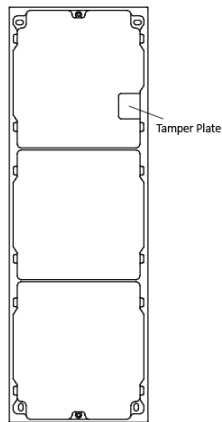


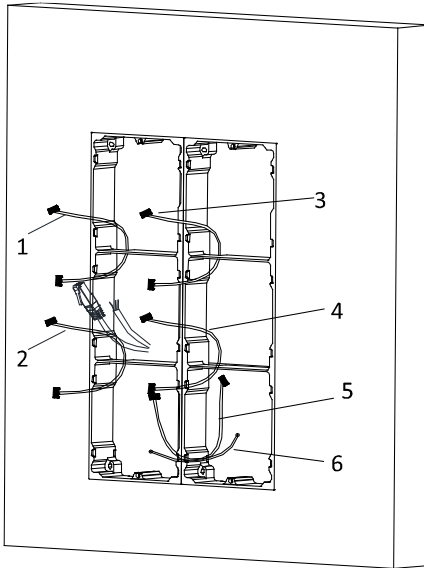
Figure 4-53 Install Mounting Frames

 **NOTE**

The mounting frame should be placed exactly as below for this step. The tamper plate should be at the low right of the first grid.



9. Fill and level up the gap between the frame and wall with concrete. Remove the locating plates after the concrete is dry.
10. Pass the main unit connecting lines across the thread hole to the top grid of the left frame.
Thread the module-connecting line across the thread hole of the frame.
The lines should be placed as below:



- 1,2,3,4: module-connecting line(190mm)
- 5: module-connecting line(400mm)
- 6: grounding line(green-yellow)

Figure 4-54 Placement of Lines

11. Connect the cables and module-connecting line 1 to the corresponding interfaces of the main unit, then place the main unit into the upper grid.
Connect the other end of the module-connecting line1 to the input interface of the sub module. Connect all sub modules via module-connecting lines.
Organize the line with cable tie in the package. The suggested line connection picture as below.

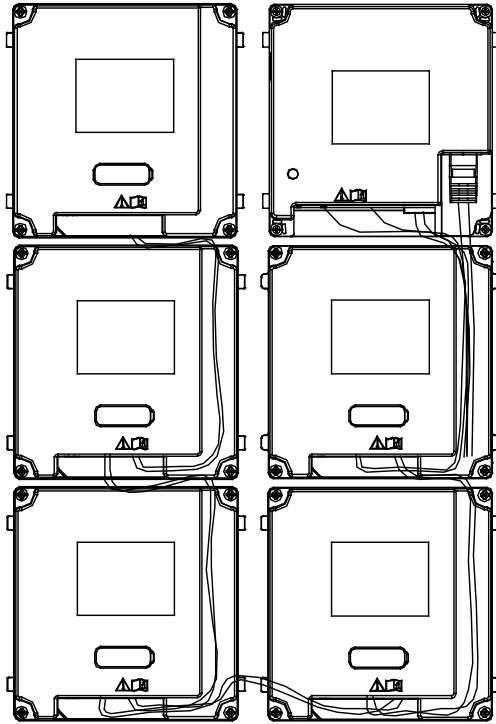


Figure 4-55 Line Connection Effect Picture

12. Insert the modules in to the frame after wiring. Main unit must be placed in the top grid on the left.

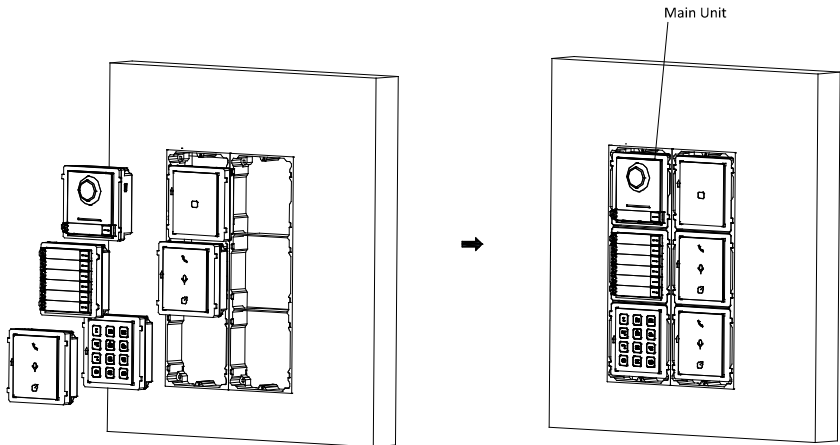


Figure 4-56 Insert the Modules

13. Pull the grounding line out and fixed its two end to the screw on the cover.

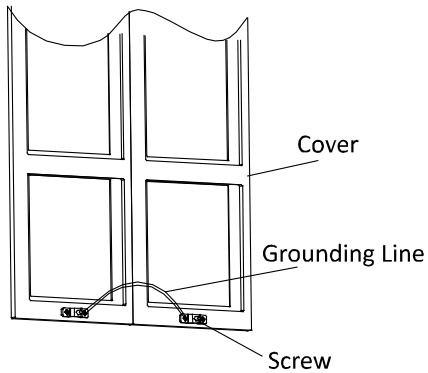


Figure 4-57 Connect the Grounding Line to the Cover

14. Use the hexagon wrench in the package fix the cover onto the frame.

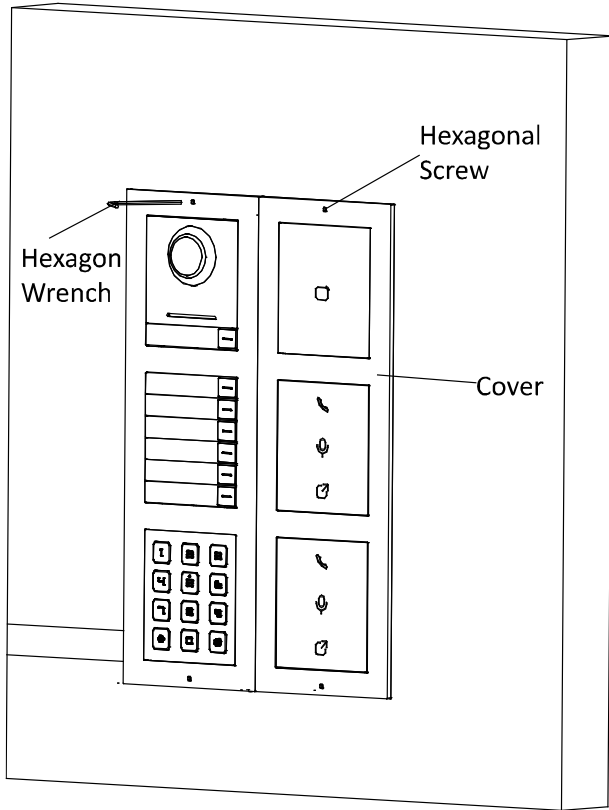


Figure 4-58 Fix the Cover

5 Device Configuration

You need to activate device and configure corresponding parameters via iVMS-4200 before use.

5.1 Activate Device

You cannot use the door station until you activate it.

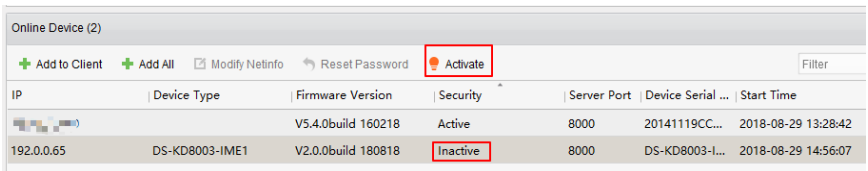
You can configure and operate the video intercom devices via iVMS-4200.

Default parameters of door station are as follows:

- Default IP Address: 192.0.0.65.
- Default Port No.: 8000.
- Default User Name: admin.

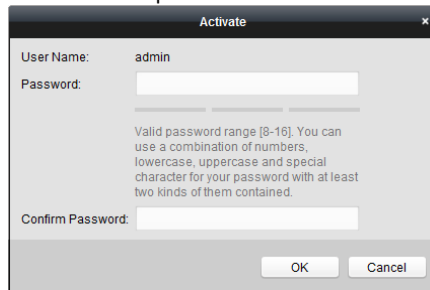
Steps:

1. Run iVMS-4200, enter **Device Management**, check the **Online Device** area.
2. Select an inactivated device and click the **Activate** button.



IP	Device Type	Firmware Version	Security	Server Port	Device Serial ...	Start Time
192.0.0.65	DS-KD8003-IME1	V2.0.0build 180818	Inactive	8000	DS-KD8003-L...	2018-08-29 14:56:07

3. Create a password, and confirm the password.



Activate ✕

User Name:

Password:

Valid password range [8-16]. You can use a combination of numbers, lowercase, uppercase and special character for your password with at least two kinds of them contained.

Confirm Password:

STRONG PASSWORD RECOMMENDED– We highly recommend you create a



strong password of your own choosing (Using a minimum of 8 characters, including at least three of the following categories: upper case letters, lower case letters, numbers, and special characters.) in order to increase the security of your product. And we recommend you reset your password regularly, especially in the high security system, resetting the password monthly or weekly can better protect your product.

4. Click the **OK** button to activate the device.



NOTE

- When the device is not activated, the basic operation and remote operation of device cannot be performed.
- You can hold the **Ctrl** or **Shift** key to select multiple devices in the online devices, and click the **Activate** button to activate devices in batch.

5.2 Edit Network Parameters

Purpose:

To operate and configure the device via LAN (Local Area Network), you need connect the device in the same subnet with your PC. You can edit network parameters via iVMS-4200 software.

Steps:

1. Select an online activated device and click the **Modify Netinfo** button.

Online Device (2)						
+ Add to Client		+ Add All		<input checked="" type="checkbox"/> Modify Netinfo	↻ Reset Password	💡 Activate
IP	Device Type	Firmware Version	Security	Server Port	Device Serial ...	Start Time
192.0.0.6	DS-KD8003-IME1	V2.0.0/build 180818	Active	8000	...	2018-08-29 14:15:56

2. Change the device IP address and gateway address to the same subnet with your computer.
3. Enter the password and click the **OK** button to activate the network parameters modification.

NOTE


- The default port No. is 8000.
- The default IP address of the door station is 192.0.0.65.
- After editing the network parameters of device, you should add the devices to the device list again.

5.3 Add Device

- You can add at most 16 door stations to the iVMS-4200.
- For the device, you are required to create the password to activate them before they can be added to the software and work properly.
- You can add online devices, and add them manually. Here take adding online video intercom devices as example.

Steps:



1. Click the  icon on the control panel, or click **Tools->Device Management** to open the Device Management page.
2. Click **Device**.
3. On the Device Type panel on the right, you can select **Hikvision Device** to add video intercom devices.
4. The active online devices in the same local subnet with the client software will be displayed on the **Online Device** area. You can click **Refresh Every 60s** to refresh the information of the online devices.

Online Device (5)							Refresh Every 60s
+ Add to Client + Add All 🔗 Modify Netinfo ↶ Reset Password 🔌 Activate							Filter
IP	Device Type	Firmware Version	Security	Server Port	Start Time	Added	
10.16.2.11	XX-XXXX-XX	Vx.x.x build xxxxxx	Active	8000	2016-07-05 09:21:55	No	
10.16.2.85	XX-XXXX-XX	Vx.x.x build xxxxxx	Active	8000	2019-01-21 21:43:24	Yes	
10.16.2.102	XX-XXXX-XX	Vx.x.x build xxxxxx	Active	8000	2016-07-05 09:33:52	No	



NOTE

To add online devices to the software, you are required to change the device IP address to the same subnet with your computer first.

5. Select the devices to be added from the list.
6. Click **Add to Client** to open the device adding dialog box.
7. Input the required information.

Nickname: Edit a name for the device as you want.

Address: Input the device's IP address. The IP address of the device is obtained automatically in this adding mode.

Port: Input the device port No. The default value is 8000.

User Name: Input the device user name. By default, the user name is admin.

Password: Input the device password. By default, the password is **12345**.

Optionally, you can check the checkbox **Export to Group** to create a group by the device name. All the channels of the device will be imported to the corresponding group by default.



NOTE

iVMS-4200 also provides a method to add the offline devices. Check the checkbox **Add Offline Device**, input the required information and the device channel number and alarm input number, and then click **Add**. When the offline device comes online, the software will connect it automatically.

8. Click **Add** to add the device.



NOTE

Add Multiple Online Devices

If you want to add multiple online devices to the client software, click and hold Ctrl key to select multiple devices, and click **Add to Client** to open the device adding dialog box. In the pop-up message box, enter the user name and password for the devices to be added.

Add All the Online Devices

If you want to add all the online devices to the client software, click Add All and click **OK** in the pop-up message box. Then enter the user name and password for the devices to be added.

5.4 Reset Password

You can restore the default password or resetting the password for the door station. Select the device from the online device list, click **Reset Password**.

If the window with import file button, key importing mode drop-down list, password and confirm password field pops up, follow the steps below to reset the password:



NOTE

This option is available to door stations.

Reset Password

Export Key

Key File:

Import Key

Key Importing Mode: Import File ▾

Import Key: ...

Password:

Valid password range [8-16]. You can use a combination of numbers, lowercase, uppercase and special character for your password with at least two kinds of them contained.



Confirm Password:

1. Click **Export** to save the device file on your computer.
2. Send the file to our technical engineers.
3. Our technical engineer will send you a file to you. After receiving a file from the technical engineer, select **Import File** from Key Importing Mode drop-down list and click to import the file.
4. Input new password in text fields of **Password** and **Confirm Password**.
5. Click **OK** to reset the password.

STRONG PASSWORD RECOMMENDED– *We highly recommend you create a strong password of your own choosing (Using a minimum of 8 characters, including at least three of the following categories: upper case letters, lower case letters, numbers, and special characters.) in order to increase the security of your product. And we recommend you reset your password regularly, especially in the high security system, resetting the password monthly or weekly can better protect your product.*



5.5 Configure System Parameters

In the device list area, select a device and click  **Remote Configuration** or  to enter the remote configuration interface.

Device for Management (3)							
+ Add + Create Cluster □ Modify ✖ Delete ⚙ Remote Configuration 📄 QR Code 🔌 Activate 📄 Device Status							
Device Type	Nickname	Connectio...	Network Parameters	Device Serial No.	Security	Net Status	Refresh
Door Station		TCP/IP	0	DS-KB8403-WIP0120180911AARR526439871CVLU	Weak	🔄	🔄
Door Station		TCP/IP	000	DS-KD8003-IME10120180607AARRC22713358CV...	Weak	🔄	🔄
Indoor Station		TCP/IP	.8000	DS-KH8301-WT0120180906WRS82157812CLU	Weak	🔄	🔄

Click the **System** button on the remote configuration interface to display the device information: Device Information, General, Time, System Maintenance, User, and so on.

5.5.1 Device Information

Click the **Device Information** button to enter device basic information interface. You can view basic information (the device type, and serial No.), and version information of the device.

Basic Information

Device Type:

Device Serial No.:

Version Information

Version: Vx.x.x build xxxxxx

Hardware Version: xxxxxx

5.5.2 General

Click the **General** button to enter device general parameters settings interface. You can view and edit the device name and device ID.

Device Information

Device Name:

Device No.:

5.5.3 Time

Steps:

1. Click the **Time** button to enter the device time settings interface.

Configuring the Time Settings (e.g., NTP)

Time Zone

Select Time Zone: (GMT+08:00) Beijing, Hong Kong, Perth, Singa... ▾

Enable NTP

Server Address: time.windows.com

NTP Port: 123

Sync Interval: 1440 Minute(s)

Enable DST

Start Time: April ▾ First Week ▾ Sun ▾ 2 : 00

End Time: October ▾ Last Week ▾ Sun ▾ 2 : 00

DST Bias: 60 min ▾

Synchronization Save

2. Select Time Zone or Enable NTP.

- **Time Zone**

- 1) Select a time zone from the drop-down list menu.
- 2) Click the **Synchronization** button.

- **NTP**

- 1) Check the checkbox of Enable NTP to enable NTP.
- 2) Enter the server address, NTP port, and synchronization interval.

- **DST**

- 1) Check the checkbox of Enable DST to enable DST.
- 2) Enter the start time and end time of DST, and set the DST bias.

3. Click the **Save** button to save and realize the time settings.



NOTE

The default port No. is 123.

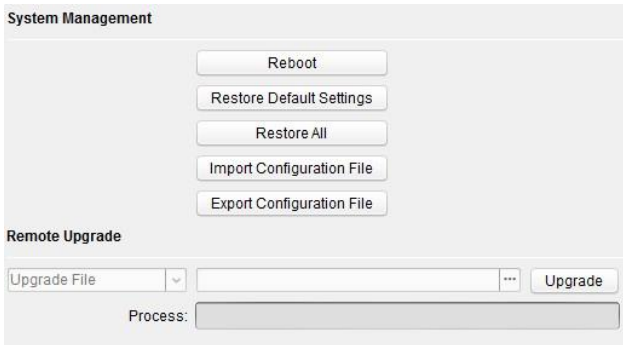
5.5.4 System Maintenance

Purpose:

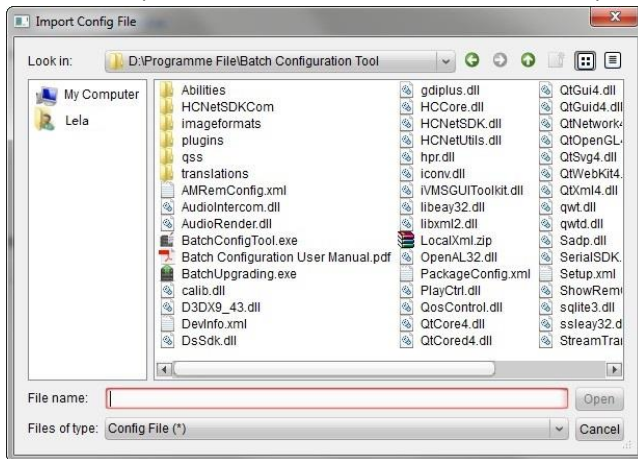
You can operate the system management and remote upgrading on the system maintenance interface.

Steps:

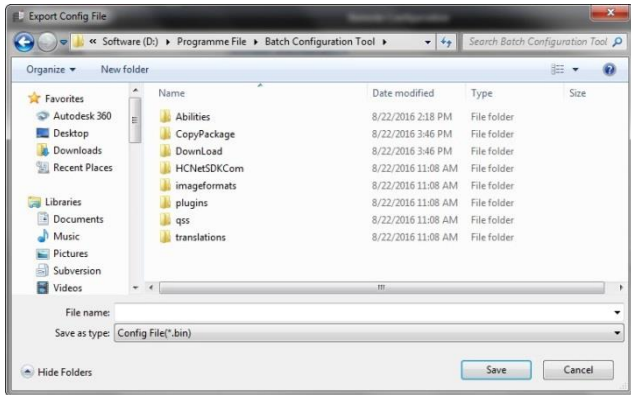
1. Click the **System Maintenance** button to enter the system maintenance interface.




2. Click **Reboot** and the system reboot dialog box pops up. Click **Yes** to reboot the system.
3. Click **Restore Default Settings** to restore the default parameters.
4. Click **Restore All** to restore all parameters of device and reset the device to inactive status.
5. Click **Import Configuration File** and the import file window pops up. Select the path of remote configuration files. Click **Open** to import the remote configuration file. The configuration file is imported and the device will reboot automatically.



6. Click **Export Configuration File** and the export file window pops up. Select the saving path of remote configuration files and click **Save** to export the configuration file.



- Click  to select the upgrade file and click **Upgrade** to remote upgrade the device. The process of remote upgrade will be displayed in the process bar.

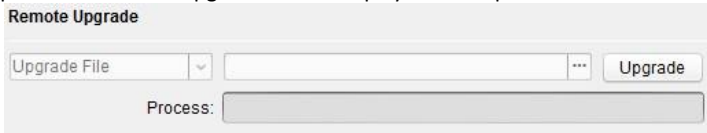


Figure 5-1 Remote Upgrade



NOTE

- Click **Restore Default Settings** button, all default settings, excluding network parameters, will be restored.
- Click **Restore All** button, all default settings, including network parameters, will be restored. The device will be reset to inactivated status.

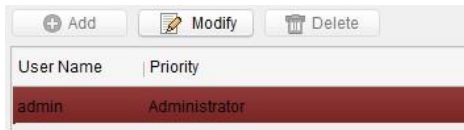
5.5.5 User

Purpose:

You can edit the password for logging in the device.

Steps:

- Click the **User** button to enter the user information editing interface.



- Select the user to edit and click the **Modify** button to enter the user parameter interface.

User Information

User Type: Administrator User Name: admin

Password: Confirm Password:

IP Address: 0.0.0.0 MAC Address: 00:00:00:00:00:00

User Primission

- Local PTZ Control
- Local Manual Recording
- Local Playback
- Local Parameter Settings
- Local Log Search
- Local Advanced Operation
- Local Parameters View
- Local Camera Management
- Local Video Export
- Local Shutdown / Reboot

Save Cancel

3. Enter the new password, and confirm it.
4. Click the **Save** button to realize the editing of password.



NOTE

- The new password and confirm password should be identical.
- After editing the password of device, click button from the device list, the added device will not be there. You should add the device again with new password to operate the remote configuration.

5.6 Configure Video Intercom Parameters

Click the **Video Intercom** button on the remote configuration interface to enter the video intercom parameters settings: Device Number Configuration, Time Parameters, Access and Elevator Control, IO Input/Output, Volume, Dial, Sub Module and so on.

5.6.1 Device ID Configuration

Steps:

1. Click the **ID Configuration** button to enter device ID configuration interface.

Device No. Configuration

Device Type: Door Station

Community No.: 1

Building No.: 1

Unit No.: 1

Floor No.: 1

No.: 1

Save

2. Select the device type from the drop-down list, and set the corresponding information.
3. Click the **Save** button to enable the device number configuration.



NOTE

- For main door station, the serial No. is 0.
- For sub door station, the serial No. is higher than 0. Serial No. ranges from 1 to 99.
- For each villa or building, at least one main door station should be configured, and sub door stations can be customized.
- For one main door station, at most 8 sub door stations can be customized.

5.6.2 Time Parameters

1. Click the **Time Parameters** button to enter time parameters settings interface.
2. Configure the maximum ring duration, maximum live view time, and call forwarding time.
3. Click the **Save** button.

Time Parameters

Device Type: Door Station

Max. Speaking Duration: 90 s

Max. Message Duration: 30 s

Save



NOTE

For door station, maximum speaking time and maximum message time should be configured. Maximum speaking time varies from 90s to 120s, and maximum message time varies from 30s to 60s.

5.6.3 Access Control and Elevator

Click **Access Control and Elevator** to enter corresponding configuration page.

Access Control

Upload Alarm for Not-Closed Door

Door No.:

Door-unlocked Duration: s

Door Name:

Encrypt Card

Elevator Control

Elevator No.:

Elevator Type:

Negative Floor:

Interface Type:

Tip: All elevators should use the same interface type.

Enable Or Not:

Server IP Address:

Server Port:

User Name:

Password:

Access Control

1. Select the door No..
2. Set the door-unlocked duration.
3. (Optional) Enable **Upload Alarm for Not-Closed Door**.
4. Click **Save** to enable the settings.



NOTE

- The door-unlocked duration ranges from 1s to 225s.
- If you check **Upload Alarm for Not-Closed Door**, an alarm will be triggered automatically if the door is not locked in the configured duration.
- Enabling **Card Encrypt**, the door station can recognize the encrypted information of the card when you swiping the card on the door station.

Elevator Control

Before you start

Make sure your door station is in the mode of main door station. Only the main door station support elevator control function.

Connection between the door station and the elevator controller supports network interface.

Step:

1. Select an elevator No., and select an elevator controller type for the elevator.
2. Set the negative floor.
3. Select the interface type: network Interface, enter the elevator controller's IP address, port No., user name, and password.
4. Enable the elevator control.



NOTE

- Up to 4 elevator controllers can be connected to one door station.
- Up to 10 negative floors can be added.
- Make sure the interface types of elevator controllers, which are connected to the same door station, are consistent.

5.6.4 IO Input and Output

Step:

1. Click the **I/O Input and Output** button to enter the I/O input and output interface.

IO Input

IO Input No: AI1

Input: Door Status

IO Output

IO Output No: DOOR1

Output: Electric Lock

Save

2. Select I/O input No., input mode, output No., and output mode.
3. Click the **Save** button to enable the settings.



NOTE

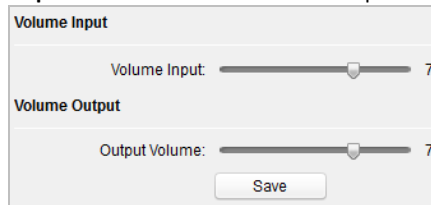
- For door station, there are 4 I/O Input Terminals. By default, Terminal 1 and 2 correspond to **Door Status**. Terminal 3 and 4 correspond to interfaces of **Door Switch**.

- For door station, there are 2 I/O Output Terminals. Terminal 1~2 correspond to **DOOR** interfaces (NO1/COM/NC1; NO2/COM/NC2) of door station. Door 1 is enabled by default. You can enable/disable IO Out according to needs.

5.6.5 Volume Input and Output

Step:

1. Click **Volume Input/Output** button to enter the volume input and output interface.



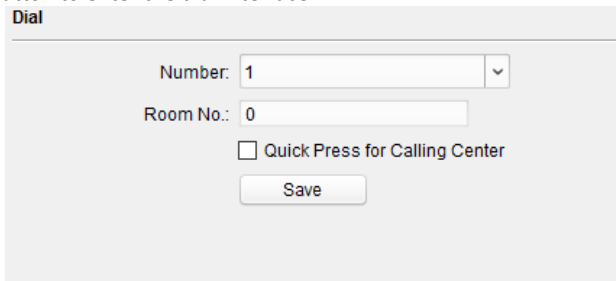
The screenshot shows a configuration window titled "Volume Input". It contains two sliders. The first slider is labeled "Volume Input:" and has a value of 7. The second slider is labeled "Output Volume:" and also has a value of 7. Below the sliders is a "Save" button.

2. Slide the slider to adjust the volume input and volume output.
3. Click the **Save** button to enable the settings.

5.6.6 Dial

Step:

1. Click **Dial** button to enter the dial interface.



The screenshot shows a configuration window titled "Dial". It contains a "Number:" dropdown menu with the value "1" selected. Below it is a "Room No.:" text input field with the value "0". There is a checkbox labeled "Quick Press for Calling Center" which is currently unchecked. At the bottom is a "Save" button.

2. Enter the room No. of the indoor station that the door station connected to.
3. Click the **Save** button to enable the settings.



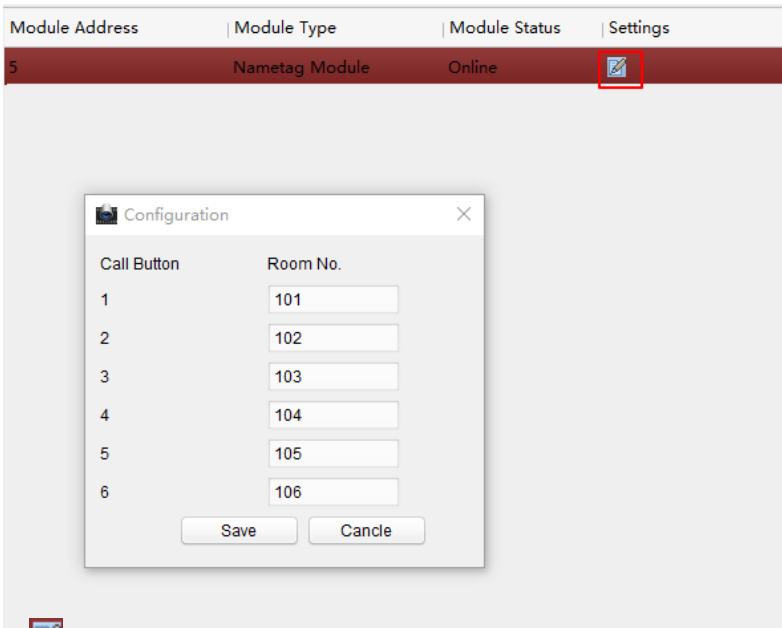
NOTE

By default, quick press the call button, the door station calls resident. If you check **Quick Press for Calling Center**, the door station calls the management center when quick press the call button of the main unit.

5.6.7 Sub Module

Step:

1. Click **Sub Module** button to enter the sub module configuration interface.



2. Click to pop up the configuration interface.
3. Enter the room no. for each call button of the nametag module.
4. Click the **Save** button to enable the settings.

NOTE

The module address is used to differentiate the sub modules. See *4.1 Configure Sub Module Address* for detailed configuration instructions.

5.7 Configure Video Intercom Network

You need to configure video intercom network parameters in the network module. Click **Network** in the remote configuration interface, to configure the local network, linked network and FTP settings.

5.7.1 Local Network Configuration

Steps:

1. Click the **Local Network Configuration** button to enter local network configuration interface.

Local Network Configuration

Local IP Address: 10.15.3.218

IP Address Subnet Mask: 255.255.255.0

Default Gateway: 10.15.3.254

Port: 8000

HTTP Port: 80

Save

2. Enter the local IP address, subnet mask, gateway address, and port No..
3. Click the **Save** button to enable the settings.



NOTE

- The default port No. is 8000.
- After editing the local network parameters of device, you should add the devices to the device list again.

5.7.2 Linked Devices Network Configuration

Purpose:

In the linked devices network configuration interface, you can configure the network parameters of master stations, SIP servers and management centers of the same LAN. The devices can be linked to the door station and realize the linkage between these devices.

Steps:

1. Click the **Linked Network Configuration** button to enter linked network configuration interface.

Linked Network Configuration

Device Type: Door Station

Master Station IP Address: 0.0.0.0

(Main) Door Station IP Address: 0.0.0.0

SIP Server IP Address: 0.0.0.0

Security Control Panel IP Address: 0.0.0.0

Security Control Panel Port No.: 0

Save

2. Enter the master station IP address, (main) door station IP address, SIP server IP address, management center IP address.
3. Select the main door station type from the drop-down list.
4. Click the **Save** button to enable the settings.



NOTE

- After adding master station IP Address, the linkage between indoor station and master station can be realized.
- After adding the door station IP Address, the video intercom between indoor stations of same building can be realized.

- After adding SIP Server Address IP, the video intercom of same community: video intercom between indoor stations of different building, calling indoor station from outer door station and video intercom between management center and indoors.
- After adding management center IP Address, the events can be uploaded to the management center.
- For indoor extension, only parameter about the main indoor station should be configured.

5.7.3 FTP

After configuring the FTP parameters, the captured pictures of door station will be uploaded to the FTP server automatically.

Steps:

1. Click the **FTP** button to enter the FTP parameters interface.

The screenshot shows a configuration window titled "Enable Main FTP" with a checked checkbox. The interface includes the following fields and controls:

- Server Type: IP Address (dropdown menu)
- FTP Server: 0.0.0.0 (text input)
- Port: 21 (text input)
- Enable Anonymous:
- User Name: (text input)
- Password: (text input)
- Directory: Save in the Child Dire... (dropdown menu)
- Parent Directory: Community No.-Buildi... (dropdown menu)
- Child Directory: Enable Time (dropdown menu)
- Picture Naming Rule section:
 - Separator: _ (text input)
 - Name: Item 1 (dropdown menu)
 - Named Element: Device Time (dropdown menu)
- Save button (bottom right)

2. Check the checkbox of **Enable Main FTP**.
3. Select IP address from the drop-down list of server mode.
4. Enter the FTP server address, and port No..
5. Check the checkbox to enable the anonymity (optional).
6. Enter the name and password.

7. Select the directory structure and set the separator, naming item, and naming element.
8. Click the **Save** button to enable the FTP parameters settings.



NOTE

- The default port No. is 21.
- To enable anonymity or not is according to whether the FTP server enables anonymity.

5.7.4 Advanced Settings

Steps:

1. Click the **Advanced Settings** button to enter the advanced network settings interface.

A screenshot of a web interface titled "Configuring the Advanced Network Settings". It features two input fields: "DNS Server Address 1" with the value "8.8.8.8" and "DNS Server Address 2" with the value "114.114.114.114". Below the fields is a "Save" button.

Configuring the Advanced Network Settings

DNS Server Address 1:

DNS Server Address 2:

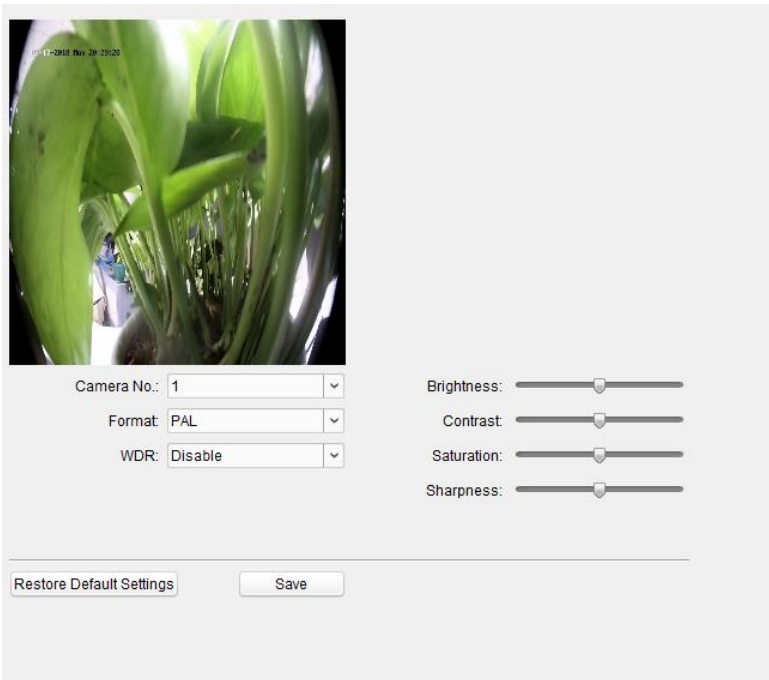
2. Enter the DNS server addresses.
3. Click the **Save** button to enable the advanced network settings.

5.8 Video Display

5.8.1 Video Parameters

Steps:

1. Click the **Video Parameters** button to enter the video parameters interface.



2. Select the camera No..
3. Select the video standard (PAL and NTSC can be selected).
4. Set WDR mode (Disable or Enable).
5. Set the brightness, contrast, saturation and sharpness of the video.
6. Click the **Save** button to enable the settings.



NOTE

Click the **Restore Default Settings** button to restore all video parameters excluding network parameters to the factory settings.

5.8.2 Video & Audio

Steps:

1. Click the **Video & Audio** button to enter the video parameters settings interface.

Video

Stream Type: <input type="text" value="Main Stream"/>	Video Type: <input type="text" value="Video & Audio"/>
Bitrate Type: <input type="text" value="Variable"/>	Max Bitrate: <input type="text" value="2048 Kbps"/>
Video Quality: <input type="text" value="Medium"/>	Resolution: <input type="text" value="HD720P(1280*720)"/>
Frame Type: <input type="text" value="P"/>	Frame Rate: <input type="text" value="25fps"/>
I Frame Interval: <input type="text" value="50"/>	Audio Encoding Type: <input type="text" value="G711_U"/>
Video Encoding Type: <input type="text" value="STD_H264"/>	Video Encoding Co... <input type="text" value="Lowest"/>

File Size Per Day: 21.0G

2. Set the parameters accordingly.
3. Click the **Save** button to enable the settings.



NOTE

It's suggested to keep the default settings to ensure the video/image quality.

6 Video Intercom Operation

6.1 Video Intercom Operation via Device

You can call corresponding resident by pressing the call button on the main unit or on the nametag unit.

**NOTE**

Make sure you have configured the room No. for the device.

6.2 Video Intercom Operation via iVMS-4200

Purpose:

The Video Intercom Management module provides the function of video intercom, checking call logs and managing notice via the iVMS-4200 client software.



**NOTE**

For the user with access control module permissions, the user can enter the Access Control module and manage video intercom and search information.

Before you start:

Before you can remote control the video intercom, you should add the device to the software and configure the person to link the device in the Access Control module.

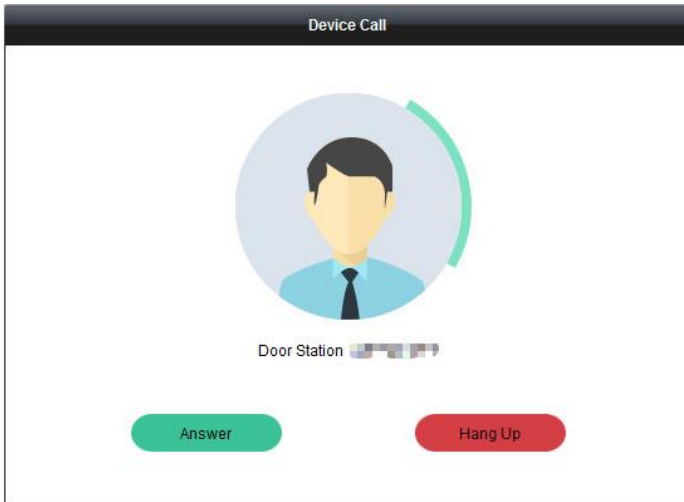


Click  ->  tab on the left icon bar to enter the Video Intercom interface.

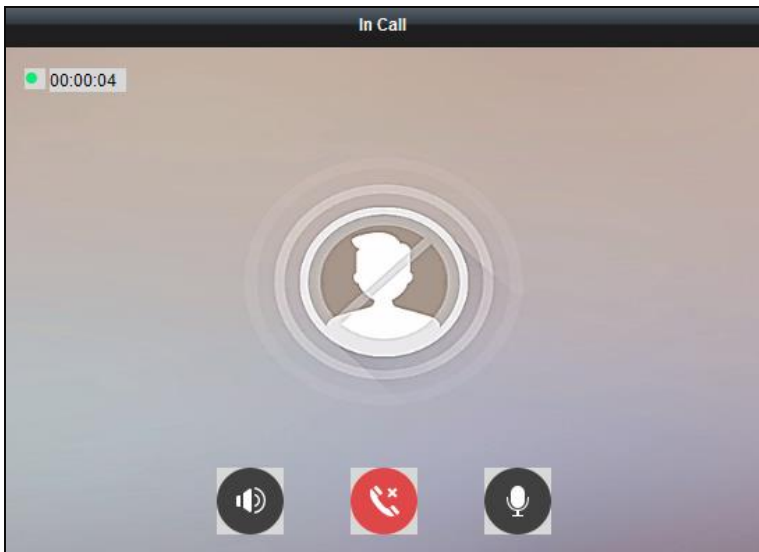
6.2.1 Receive Call from Door Station


Steps:

1. Select the client software in door station interface to start calling the iVMS-4200 and an incoming call dialog will pop up in the client software.




2. Click **Answer** to answer the call.
Or click **Hang Up** to decline the call.
3. After you answer the call, you will enter the In Call window.



Click  to adjust the volume of the loudspeaker.

Click  to hang up.

Click  to adjust the volume of the microphone.

For door station, you can click  to open the door remotely.



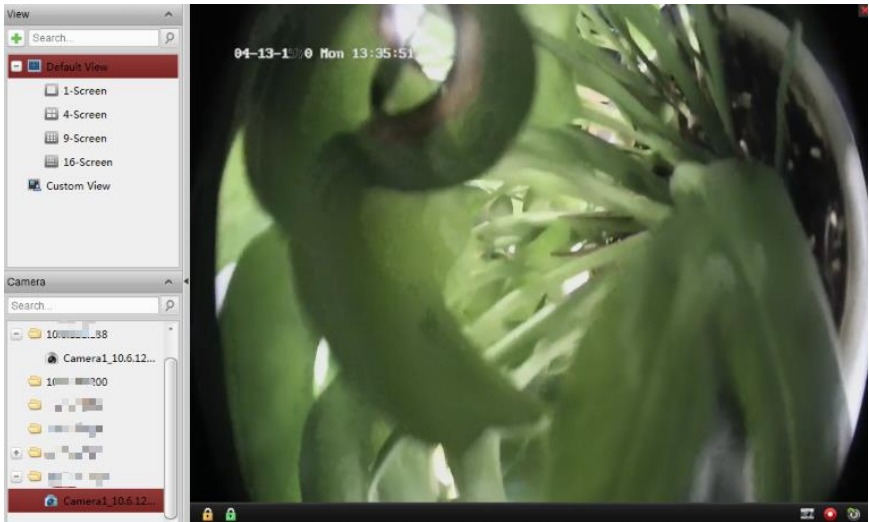
NOTE

- One video intercom device can only connect with one client software.
- The maximum ring duration can be set from 15s to 60s via the Remote Configuration of the video intercom device.
- The maximum speaking duration between indoor station and iVMS-4200 can be set from 120s to 600s via the Remote Configuration of indoor station.
- The maximum speaking duration between door station and iVMS-4200 can be set from 90s to 120s via the Remote Configuration of door station.

6.2.2 View Live Video of Door Station

You can get the live view of the main unit in the **Main View** module and control the door station remotely.

In the Main View module, double-click a door station or drag the device to a display window to start the live view.



Right click on the live view interface, click the unlock icon to remote unlock the door.

6.2.3 View Call Logs

Purpose:

You can check all the call logs, including dialed call logs, received call logs and missed call logs. You can also directly dial via the log list and clear the logs.

Steps:

- In the Video Intercom page, click the **Call Log** tab to enter the Call Log page.
All the call logs will display on this page and you can check the log information, e.g., call status, start time, resident's organization and name, device name and ring or speaking duration.

Call Status	Start Time	Organization	Device Name	Time Length	Operation
	2018-09-20 20:24:32		10.6.121.159	Ring Duration: 22 S	
	2018-09-13 17:28:30		10.6.121.159	Speaking Duration: 4 S	
	2018-09-13 17:27:40		10.6.121.159	Speaking Duration: 11 S	
	2018-09-05 20:40:40		10.6.121.138	Speaking Duration: 29 S	
	2018-08-18 15:56:18			Ring Duration: 2 S	
	2018-08-17 17:25:37			Speaking Duration: 5 S	
	2018-08-17 17:25:19			Ring Duration: 2 S	
	2018-08-17 15:53:41			Speaking Duration: 90 S	
	2018-08-16 22:44:00			Speaking Duration: 6 S	
	2018-08-16 22:43:40			Speaking Duration: 3 S	
	2018-08-16 22:43:00			Speaking Duration: 2 S	

- (Optional) Click the icon in the Operation column to re-dial the resident.
- (Optional) Click the icon in the Operation column to delete the call log.
Or you can click **Clear** at the upper right corner to clear all the logs.

6.2.4 Search Video Intercom Information

Purpose:

You can search the call logs between the iVMS-4200 client software and video intercom devices, device unlocking logs and the security information.

In the Access Control module, click icon tab to open the Search page.

Search Call Logs

Steps:

- In the Information Search page, click the **Call Log** to enter the Call Log interface.

Access Control Event
Call Log
Unlocking Log
Notice

Call Status:


Device Type:

Start Time:

End Time:

Call Status	Start Time	Time Length	Device Type	Device Name	Organization
Received	2017-01-18 20:13:32	Speaking Durati...	Door Station	10.16.6.85	




Total: 1 Page: 1/1 Item per Page: Self-adaptive

2. Set the search conditions, including call status, device type, start time and end time.
 - **Call Status:** Click to unfold the drop-down list and select the call status as **Dialed**, **Received** or **Missed**. Or select **All** to search logs with all statuses.
 - **Device Type:** Click to unfold the drop-down list and select the device type as **Indoor Station**, **Door Station**, **Outer Door Station** or **Analog Indoor Station**. Or select **All Devices** to search logs with all device types.
 - **Start Time/End Time:** Click  to specify the start time and end time of a time period to search the logs.
 (Optional) You can click **Reset** to reset all the configured search conditions.
3. Click **Search** and all the matched call logs will display on this page.
 For the search results,
 - (Optional) Check the detailed information of searched call logs, such as call status, ring/speaking duration, device name, resident organization, etc.
 - (Optional) Input keywords in the Search field to filter the desired log.
 - (Optional) Click **Export** to export the call logs to your PC.

Search Unlocking Logs

Steps:


1. In the Information Search page, click **Unlocking Log** tab to enter the Unlocking Log interface.

2. Set the search conditions, including unlocking type, device type, start time and end time.
 - **Unlocking Type:** Click  to unfold the drop-down list and select the unlocking type as **Unlock by Password**, **Unlock by Duress**, **Unlock by Card**, **Unlock by Resident** or **Unlock by Center**. Or select **All** to search logs with all unlocking types.
 - **Device Type:** Click  to unfold the drop-down list and select the device type as **Door Station** or **Door Station (V Series)**. Or select **All Devices** to search logs with all device types.
 - **Start Time/End Time:** Click  to specify the start time and end time of a time period to search the logs.

3. (Optional) You can click **Reset** to reset all the configured search conditions.

4. Click **Search** and all the matched unlocking logs will display on this page.

For the searching results,

- (Optional) Check the detailed information of searched unlocking logs, such as unlocked time, card No., device No., etc.
- (Optional) Input keywords in the Search field to filter the searching result.
- (Optional) Click  in the Capture column to view the captured pictures.



NOTE

Viewing captured picture should be supported by device.

- (Optional) Click **Export** to export the unlocking logs to your PC.

